

Basler IP Fixed Dome Camera



Pole Mount Kit Installation Guide

Document Number: AW000993

Version: 01 Language: 000 (English)

Release Date: 8 April 2011

BASLER 

Contacting Basler Support Worldwide

Europe and the Middle East:

Basler AG
An der Strusbek 60 - 62
22926 Ahrensburg
Germany

Phone: +49-4102-463-303
Fax: +49-4102-463-599
Email: bc.support.ip.emea@baslerweb.com

The Americas:

Basler, Inc.
855 Springdale Drive, Suite 203
Exton, PA 19341
U.S.A.

Phone: +1-610-280-0171
Fax: +1-610-280-7608
Email: bc.support.ip.usa@baslerweb.com

Asia:

Basler Asia Pte. Ltd
8 Boon Lay Way
03 - 03 Tradehub 21
Singapore 609964

Phone: +65-6425-0472
Fax: +65-6425-0473
Email: bc.support.ip.asia@baslerweb.com

www.basler-ipcam.com

All material in this publication is subject to change without notice and is copyright Basler Vision Technologies.

1 Introduction



WARNING

The installation should be made by a qualified service person and should comply with all local codes.

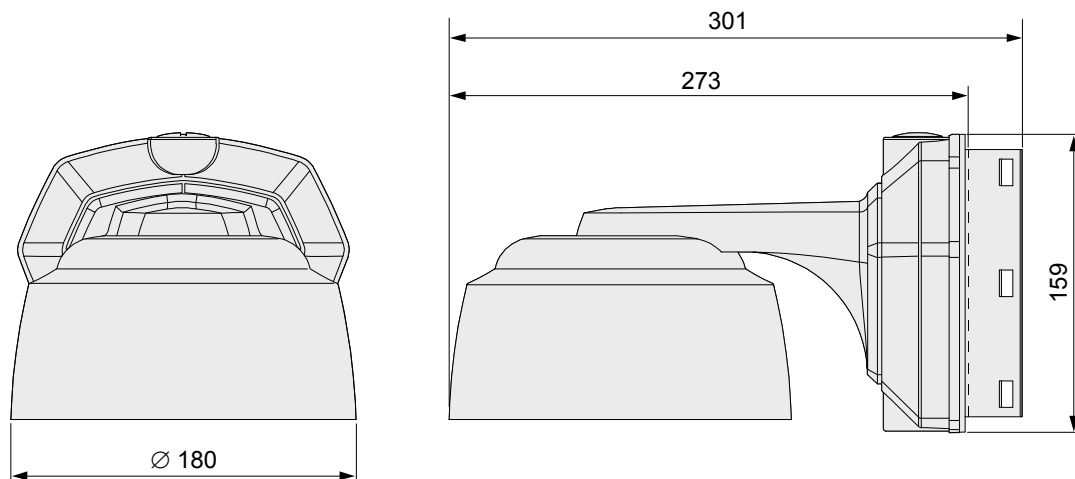
Document Intent

The intent of this document is to help you install a pole mount kit for the Basler IP Fixed Dome Camera. This document should be used in combination with the *Basler IP Fixed Dome Camera Installation Guide*. The dome camera installation guide includes information you will need to successfully attach the dome camera to the pole mount kit.

Kit Capacity

This kit can be mounted on poles from 12 to 25 cm (4.7" to 9.8") in diameter.

Dimensions (in mm)



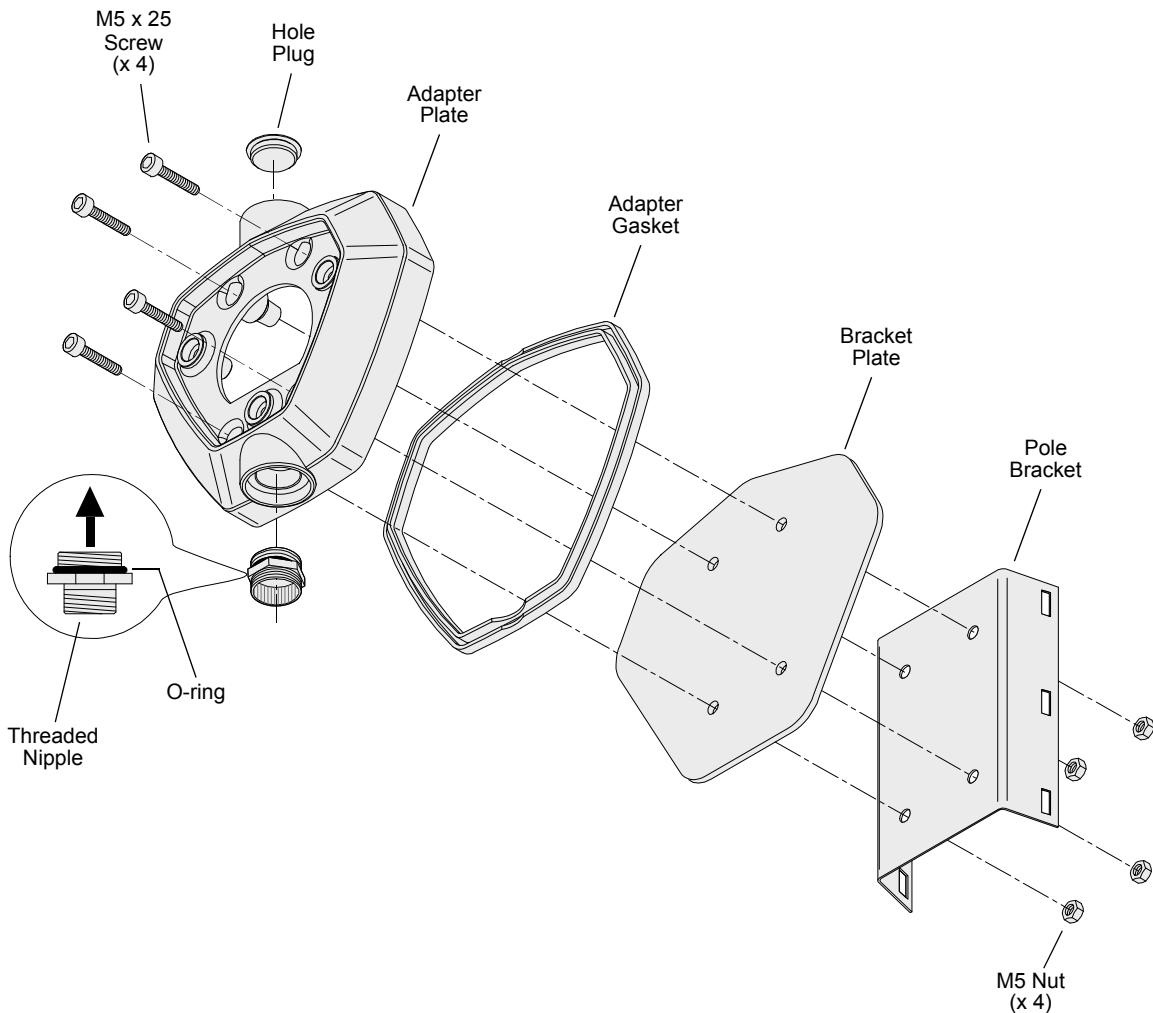
2 Installation

1. Assemble the adapter plate, adapter plate gasket, bracket plate, and pole bracket as shown below using four M5 x 25 screws and four M5 nuts.

Screw the hole plug into the top hole in the adapter bracket.

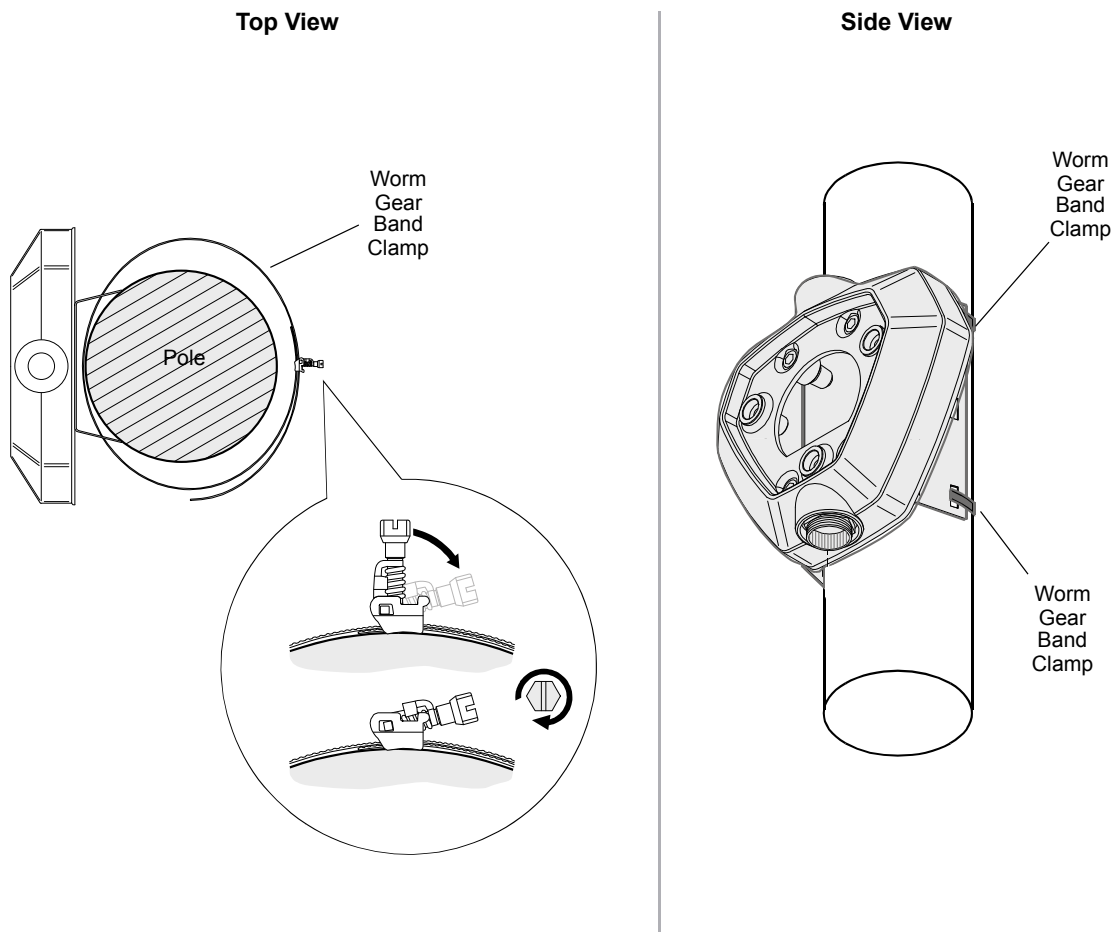
Make sure that the O-ring is on the threaded nipple as shown below and screw the nipple into the bottom hole in the adapter plate.

	<p>This procedure assumes that you will be routing the camera cables in through the bottom hole on the adapter plate. If desired, you can put the hole plug in the bottom hole and route the cables in through the top.</p>
--	---



2. Use two worm gear band clamps to attach the bracket assembly to the pole as shown in the top and side views below.


Note that the screw on the worm gear mechanism snaps open to allow you to slip the band through the gear mechanism without the need to repeatedly turn the screw. Slip the band through the gear mechanism until the band fits snugly around the post, snap the screw shut, and then turn the screw until the band is securely wrapped to the post.

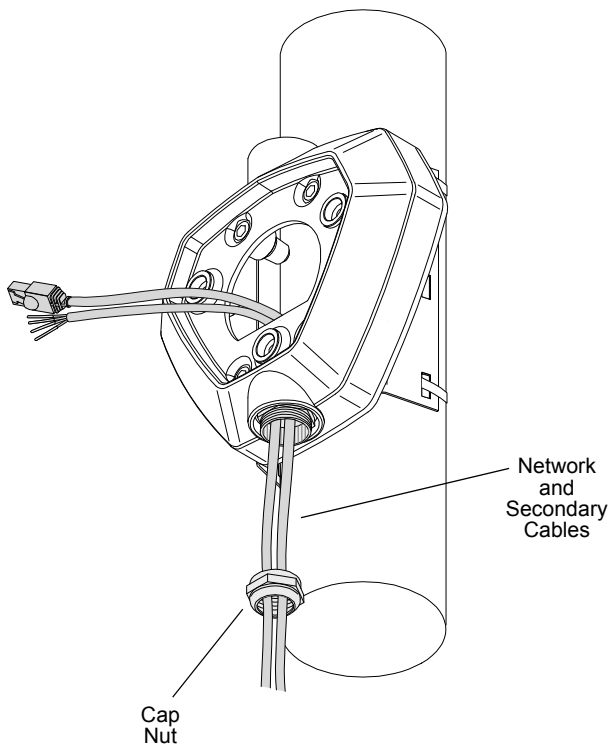


3. Obtain the cap nut from the installation kit.

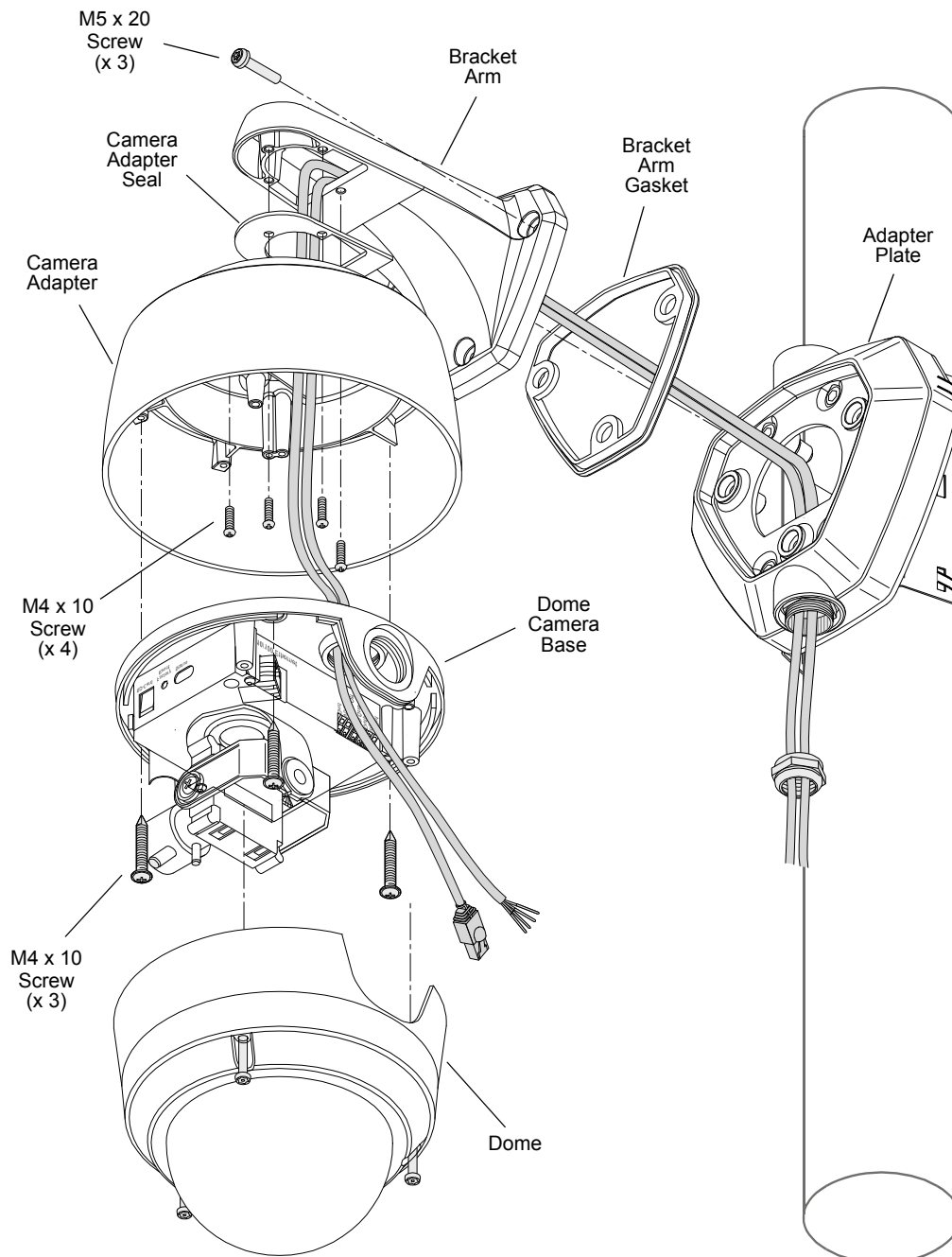
Route the network and secondary cables through the cap nut and through the bottom hole in the adapter plate as shown below.

Do not screw the cap nut onto the threaded nipple at this point.

	<p>This step assumes that you will be routing two cables, a network cable and a secondary cable, to the dome camera. If you will be using just one cable, the procedure is similar.</p>
---	---

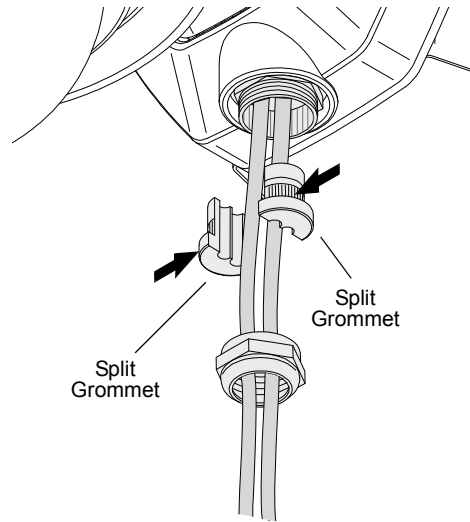


4. Refer to the exploded drawing below, and place the bracket arm gasket on the back of the bracket arm. Route the cables through the bracket arm and then attach the bracket arm to the adapter plate using three M5 x 20 screws.
5. Apply the camera adapter seal to the camera adapter (the seal is a peel-and-stick type).
6. Route the cables through the camera adapter and then attach the camera adapter to the bracket arm using four M4 x 10 screws.
7. Attach the dome camera base to the camera adapter using three M4 x 10 screws.

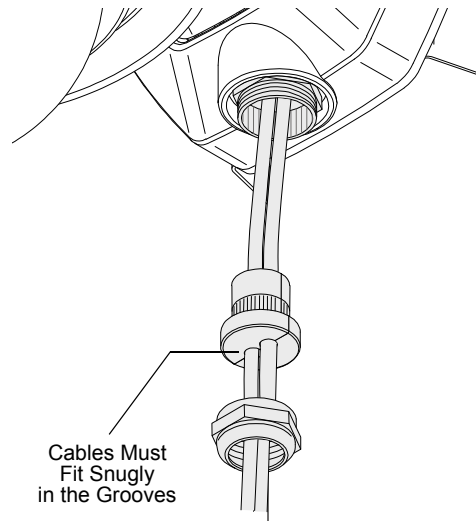


8. Obtain the split grommet from the installation kit. Place the two cables in the grooves in the split grommet as shown to the right.

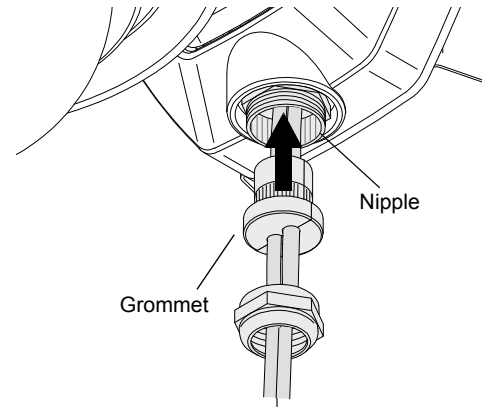
Note: If you are using only one cable, use the split grommet with only one groove.



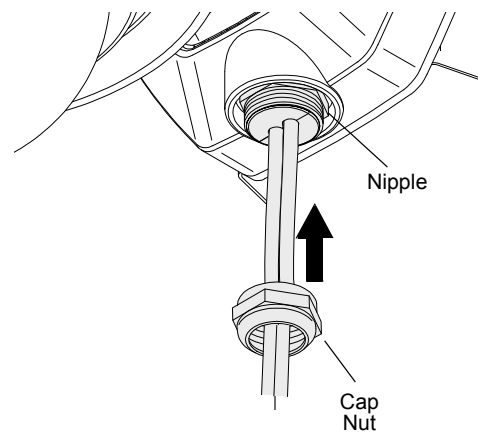
9. In order for the connection to be weatherproof, the cables must fit snugly in the grommet's grooves. If the cables are a loose fit:
 - a. Remove the grommet.
 - b. Increase the diameter of each cable where it passes through the grommet by wrapping several layers of high quality plastic tape around the cable.
 - c. Reapply the grommet to the cable and check the cables for a snug fit in the grooves.



10. Insert the grommet into the threaded nipple. You will need to push on the grommet firmly to seat the grommet in the nipple.



11. Slide the cap nut up to the end of the threaded nipple and screw the cap nut onto the nipple.



12. Follow the instructions in the *Basler IP Fixed Dome Camera Installation Guide* to complete the dome camera installation.

