

Basler IP Fixed Box Cameras



**Installation
Guide**

**Installations-
anleitung**

For BIP2-XXXXc and BIP2-XXXXc-dn Models

Document Number: AW000975

Version: 04 Language: 000

Release Date: 30 August 2011



Contacting Basler Support Worldwide

Europe and the Middle East:

Basler AG	Phone: +49-4102-463-303
An der Strusbek 60 - 62	Fax: +49-4102-463-599
22926 Ahrensburg	Email: bc.support.ip.emea@baslerweb.com
Germany	

The Americas:

Basler, Inc.	Phone: +1-610-280-0171
855 Springdale Drive	Fax: +1-610-280-7608
Suite 203	Email: bc.support.ip.usa@baslerweb.com
Exton, PA 19341	
U.S.A.	

Asia:

Basler Asia Pte. Ltd	Phone: +65-6425-0472
8 Boon Lay Way	Fax: +65-6425-0473
# 03 - 03 Tradehub 21	Email: bc.support.ip.asia@baslerweb.com
Singapore 609964	

www.basler-ip.com

All material in this publication is subject to change without notice and is copyright Basler Vision Technologies.

Basler IP Fixed Box Camera Installation Guide

About This Document

This document is intended to help you install your Basler IP Fixed Box Cameras on a network. This document applies to Basler IP Fixed Box Cameras that include the designation "BIP2" as part of their model name (see Table 2 on page 22 for a list of the models covered by this document).

When installation is complete, refer to the camera user's manual for detailed information about operation and features. You can find the camera user's manual on the CD delivered with your camera, or you can find the latest version of the manual in the Downloads section of our website:

www.basler-ip.com

Precautions



WARNING

The camera is not designed for unprotected use in an explosive atmosphere.

If you use the camera in an explosive atmosphere, it must be enclosed within an appropriate environmental housing.



⚠ CAUTION

Electrical Shock Hazard

Touching the camera's internal components may result in an electrical shock.

Do not open the camera housing. The housing contains no user serviceable parts.

NOTICE

The camera is not designed for unprotected outdoor use and can be damaged by excessively damp or wet conditions.

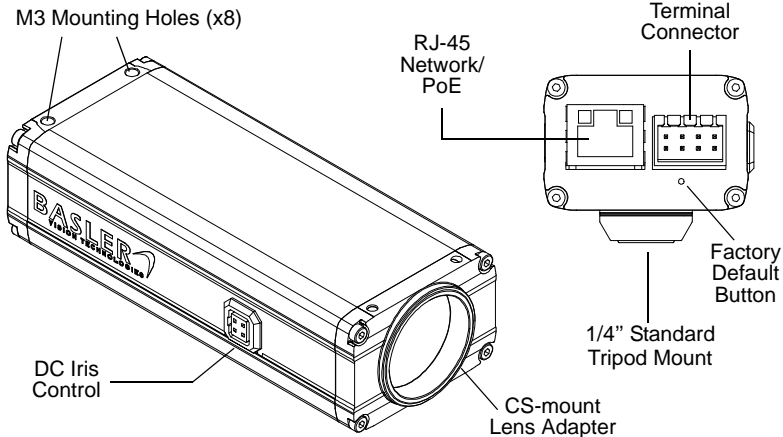
If you are using the camera outdoors, you should mount the camera in a weatherproof housing.

WEEE Directive

The European Union has enacted Directive 2002/96/EC on Waste Electrical and Electronic Equipment (the WEEE Directive). This directive is only applicable in European Union member states.

All Basler IP Cameras have been manufactured after the 31st of August 2005.

1 Hardware Overview



- **RJ-45 Network / PoE** - Provides a 10/100 Ethernet connection and can be used to connect Power over Ethernet (IEEE 802.3af) to the camera.
- **Terminal Connector** - Provides connections for an alternate camera power input, connections for the camera's I/O ports, and connections for a standard RS-485 serial port that can be used to control an external device.
- **DC Iris Control** - Provides a connection for a DC auto iris.
- **CS-mount Lens Adapter** - Provides a point to mount a CS-mount lens or a C-mount lens on the camera (a 5 mm extension tube is required with a C-mount lens).
- **Factory Default Button** - Used to return the camera to factory default settings (see the camera user's manual for details).

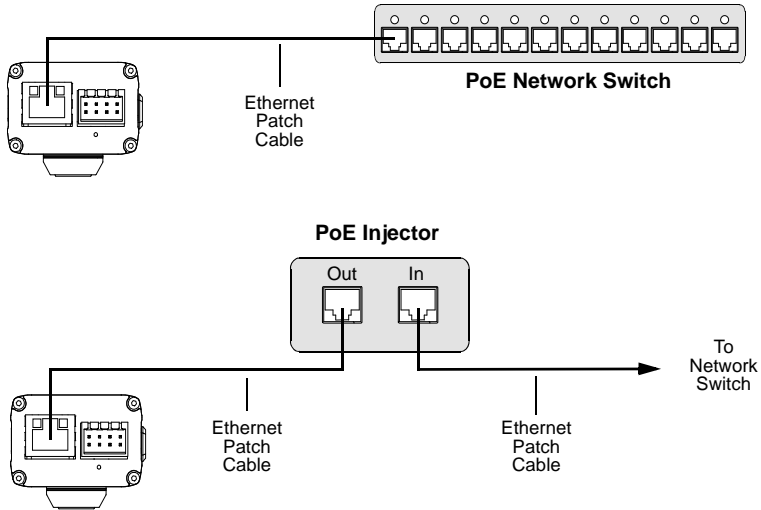
2 Installing the Camera

2.1 Hardware Installation

1. Take the camera and an appropriate lens and move to an environment that is as dust free as possible.
2. Remove the cap from the lens adapter on the front of the camera.
3. Install the lens on the camera:
 - If you are using a CS-mount lens, carefully screw your lens into the adapter as far as it will go.
 - If you are using a C-mount lens, carefully screw a 5 mm extension ring into the lens mount on the camera as far as it will go and then carefully screw your lens into the extension ring as far as it will go.
4. If your lens has an auto-iris mechanism, connect the cable on the lens to the DC Iris control connector on the side of the camera (see the drawings on page 3).
5. Make the Ethernet connection and apply camera power:
 - If power will be supplied to the camera via the Ethernet network cable (i.e., Power over Ethernet), go to page 5.
 - If power will be supplied from an external power supply via the camera's terminal connector, go to page 7.

If camera power will be supplied via Power over Ethernet (PoE):

6. Connect the camera to a PoE network switch or to a PoE injector as shown below.

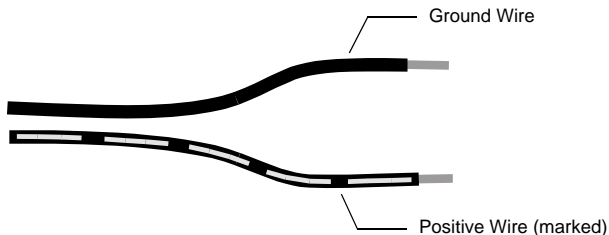


7. If you will be connecting devices to the DC Out, I/O, or RS-485 pins in the camera's terminal connector:
 - a. Read the information in Section 4 regarding the pin numbering and pin functionality for the terminal connector and determine how you wish to connect the devices to the camera.
 - b. Obtain the black, 8-pin Weidmüller plug that was shipped with the camera.
 - c. Insert the device wires into the Weidmüller plug using the technique illustrated on page 16.
 - d. Insert the Weidmüller plug into the terminal connector on the back of the camera.
8. Go on to Section 2.2 on page 9.

If camera power will be supplied via the terminal connector:

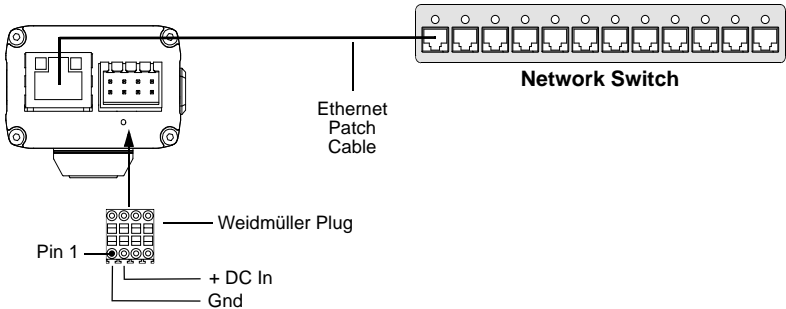
6. Make sure that your power supply meets the camera power requirements stated in Table 1 on page 17 and the wire size requirements stated on page 16.
7. Obtain the black, 8-pin Weidmüller plug that was shipped with the camera.
8. Using the technique described on page 16, insert the ground wire from the power supply into pin 1 of the plug and the positive wire into pin 3.

The positive wire is typically marked with a white stripe, a colored stripe, or some similar type of marking as shown below. (if you are unsure which wire is positive, use a voltmeter to identify the positive wire.)



9. If you will be connecting devices to the DC Out, I/O, or RS-485 pins in the camera's terminal connector:
 - a. Read the information in Section 4 regarding the pin numbering and pin functionality for the terminal connector and determine how you want to connect the devices to the camera.
 - b. Insert the device wires into the Weidmüller plug.

10. Connect an Ethernet cable to the RJ-45 connector on the camera and to your network switch as shown below.



11. Insert the Weidmüller plug into the terminal connector on the back of the camera.
12. Plug in or switch on the power supply.
13. Go on to Section 2.2 on page 9.

2.2 Locating the Camera on Your Network and Making Initial Camera Access

- The location procedure assumes that your camera is on the same network subnet as your PC and that you have a Windows® operating system on your PC.
- The procedure uses a web browser to access your Basler IP Fixed Box Camera. The recommended web browsers are Microsoft Internet Explorer 8.0 or higher and Mozilla Firefox 3.6 or higher.
- If your network includes a proxy server and your web browser is set to use the proxy server, the browser will not be able to access the camera. To avoid this problem, change your web browser's connection settings so that the proxy server will not be used with local addresses.
- Make sure that Javascript is enabled on your browser.

To locate your Basler IP Camera on your network and make initial access:

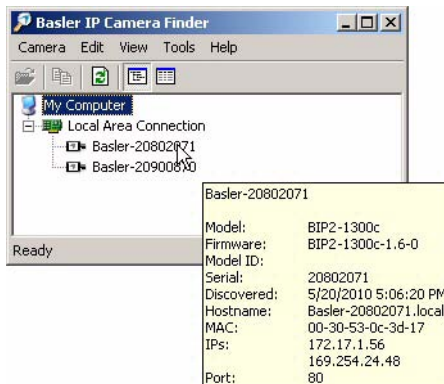
1. Obtain the CD that was delivered with your camera and place it in your computer's CD-ROM drive.
2. Copy the **BIPFinder.exe** program from the CD to a location on your computer's hard drive. The BIP Finder is a standalone program and does not need to be installed.

(You can also obtain the BIP Finder software from the Downloads section of our website: www.baslerweb.com)

3. Create a shortcut on the desktop to the BIP Finder program.

4. Double click on the BIP Finder shortcut. The BIP Finder software will open, will locate the Basler IP Camera(s) on your network, and will display them in a tree format.

The Basler IP Cameras connected to your network will be listed in the BIP Finder window by serial number. If you hover your cursor over a serial number, you will see a list of information for the camera, including the IP address, as shown below.



Note: The BIP Finder software includes a wide range of functionality including the ability to display extensive information about each connected camera and to perform firmware updates on the cameras. We strongly suggest that you review the help file included with the BIP Finder software to familiarize yourself with its capabilities.

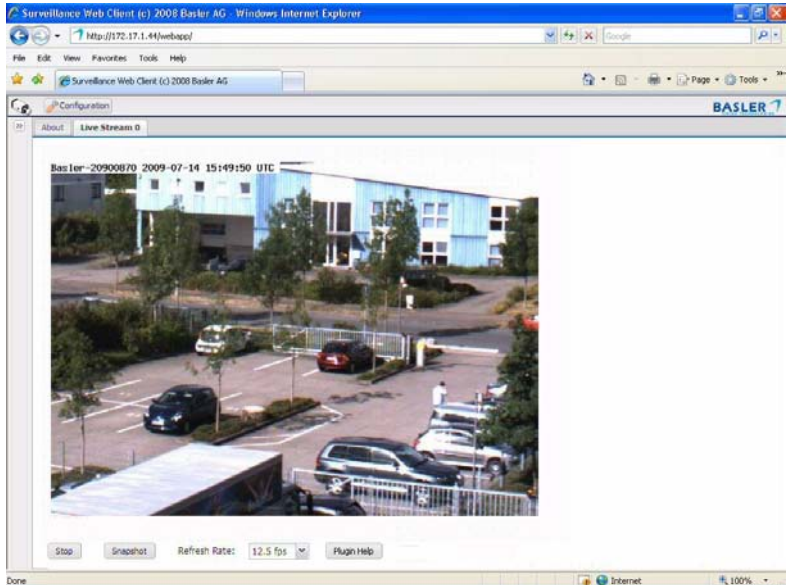
5. Double click on a Basler IP Camera serial number in the BIP Finder window, your web browser will open and the browser will access the Basler Surveillance Web Client in the selected camera as shown below.



Assuming that this is the first time you are accessing the camera via the web browser, you may see a message asking you to click on the Information Bar to allow installation of an ActiveX control. The ActiveX control that the system wants to install is supplied by Basler and is used to display image streams within the browser. We strongly recommend that you install the control by performing the following steps:

- a. Click on the yellow Information Bar and select **Install ActiveX Control** from the menu that appears.
- b. When the **Do you want to install this software?** window opens, click the **Install** button.
- c. When the installation is finished, click the browser's refresh button.

The Basler Surveillance Web Client will display a live stream from the camera as shown below.



For complete information about using the Basler Surveillance Web Client to change the camera's settings and view images from the camera, see the camera user's manual. You can find the camera user's manual on the CD delivered with your camera, or you can find the latest version of the manual in the Downloads section of our website:

www.basler-ip.com

3 Firmware Updates

To ensure that your camera's functionality is up to date, you should periodically check the Downloads section of the Basler website to see if a firmware update file is available. The website address is:

www.basler-ip.com

You can use the Basler Surveillance Web Client to view the current firmware version on a camera and to perform a firmware update. For more information about using the client to view the current firmware version or to update firmware, see the camera user's manual. The user's manual can be found on the CD delivered with your camera or you can download the latest version of the manual from the Basler website.

You can also use the Basler IP Camera Finder software (version 1.4 or higher) to view the current firmware version in your camera and to apply firmware update files to the camera (see Section 2.2). Some advantages of the BIP Finder software are that it can be used to view the firmware versions on multiple cameras at once and it can be used to update the firmware version on several cameras simultaneously. For more information about using the BIP Finder to check firmware versions and update firmware, see the BIP Finder help file (the help file is a separate file that is included along with the BIP Finder software).

4 The Terminal Connector

The 8-pin terminal connector on the back of the camera can be used to:

- provide power to the camera (when PoE is not used)
- access the camera's I/O ports
- access the camera's RS-485 connection

The terminal connector on the camera is a Weidmüller header (part number 1807480000).

The recommended mating connector is an 8-pin Weidmüller plug (part number 1727650000). A Weidmüller plug of this type is shipped with each camera.

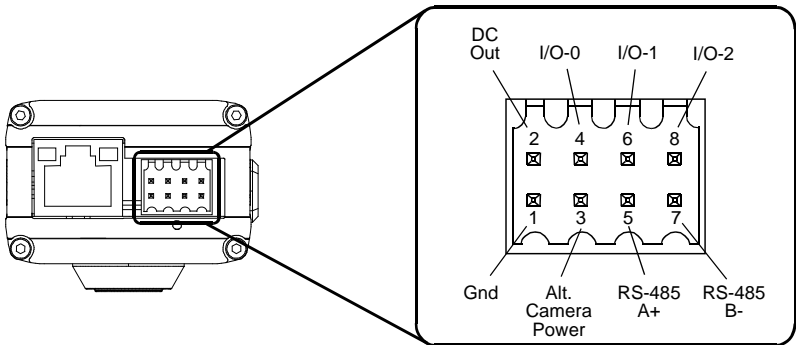
NOTICE

Do not apply AC voltages or voltages out of specification to the camera.

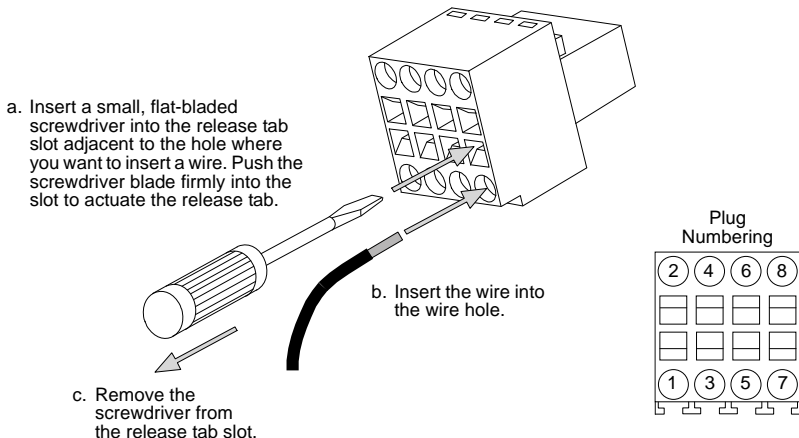
1. Apply only DC voltages. Applying AC voltages can seriously damage the camera.
2. Make sure that the voltages are within the limits specified in Table 1 on page 17. Applying voltages outside of the specifications can seriously damage the camera.

The pin numbering and pin assignments for the terminal connector are as illustrated below.

The pin assignments are described in more complete detail in Table 1 on page 17.



When inserting wires into the Weidmüller plug that mates with the terminal connector, you must use the technique described below. The spring clamps used to hold the wires in the plug are exceptionally strong, and you must use this technique to properly insert wires.



Make sure that any wires you insert have the following characteristics:

- A minimum cross section of 0.08 mm^2 (AWG 28) and a maximum cross section of 1.0 mm^2 (AWG 18). Either stranded or solid wire can be used.
- 7 mm (1/4") of insulation has been stripped from the end of the wires.
- Ferrules (end terminals) are not required for stranded wires, but can be used if desired. If the wire ends have ferrules applied, the ferrule must have a cross section between 0.13 mm^2 (0.005") and 0.34 mm^2 (0.013").

Pin #: 1 Function: Ground

Description: Ground for camera power, I/O-0, I/O-1, I/O-2, and the RS-485 serial port.

Pin #: 2 Function: DC Out

Description: DC Out supplies +5.0 VDC and can be used to power a small device such as a relay as illustrated in the schematic drawing on page 21. The maximum allowed load on DC Out is 100 mA. If an inductive load such as a relay is used with DC Out, a diode must be connected in parallel with the load as shown in the schematic.

Pin #: 3 Function: Alternate camera power

Description: Use this pin to supply power to the camera (if you are not supplying camera power via PoE).

Nominal operating voltage: +12 VDC

Allowed voltage range: +12 to +24 VDC ($\pm 10\%$)

Maximum power consumption: 5 W

Table 1: Terminal Connector Pin Assignments

Pin #: 4, 6, 8 **Function:** I/O-0, I/O-1, and I/O-2 respectively

Description: Each I/O port can be set to operate either as an input or as an output. The choice of whether a particular I/O port will operate as an input or an output and how it will function is made by setting camera parameters (see the camera user's manual for details about setting camera parameters).

For any I/O port set as an input:

In the schematic drawing on page 21, I/O-2 has been set to operate as an input. Normally, you will connect an input port to ground via a switch as illustrated in the schematic.

As indicated in the table below, an input port will be detected by the camera as active or inactive depending on whether the switch is open or closed and whether the port is or is not set to invert.

See the camera user's manual for more information about setting a port to invert.

Switch Condition	Port Set To Invert	Input Detected As
Open	No	Inactive
Closed	No	Active
Open	Yes	Active
Closed	Yes	Inactive

(Pin 4, 6, 8 description continued on the next page.)

Table 1: Terminal Connector Pin Assignments

(Pin 4, 6, 8 description continued from the previous page.)

For any I/O port set as an output:

In the schematic drawing on page 21, I/O-0 and I/O-1 have been set to operate as outputs. An output port employs an open collector transistor connected to ground as shown in the schematic.

As indicated in the table below, an output port will or will not be connected to ground via the transistor depending on the state of the port and whether the port is or is not set to invert.

See the camera user's manual for more information about setting a port to invert.

Note: If an output port has been set to invert and you restart the camera or you power it off and back on, the port will not invert during the camera bootup process and will return to inverted once the bootup process is complete.

Output State	Port Set To Invert	Output Pin Connected to Ground
Inactive	No	No
Active	No	Yes
Inactive	Yes	Yes
Active	Yes	No

The maximum load is 100 mA and the maximum voltage is +24 VDC.

If an inductive load such as a relay is connected to an output port, a diode must be connected in parallel with the load as shown in the schematic drawing on page 21.

Table 1: Terminal Connector Pin Assignments

Pin #: 5 Function: RS-485 A+

Description: A+ pin for a standard RS-485 connection.

Pin #: 7 Function: RS-485 B-

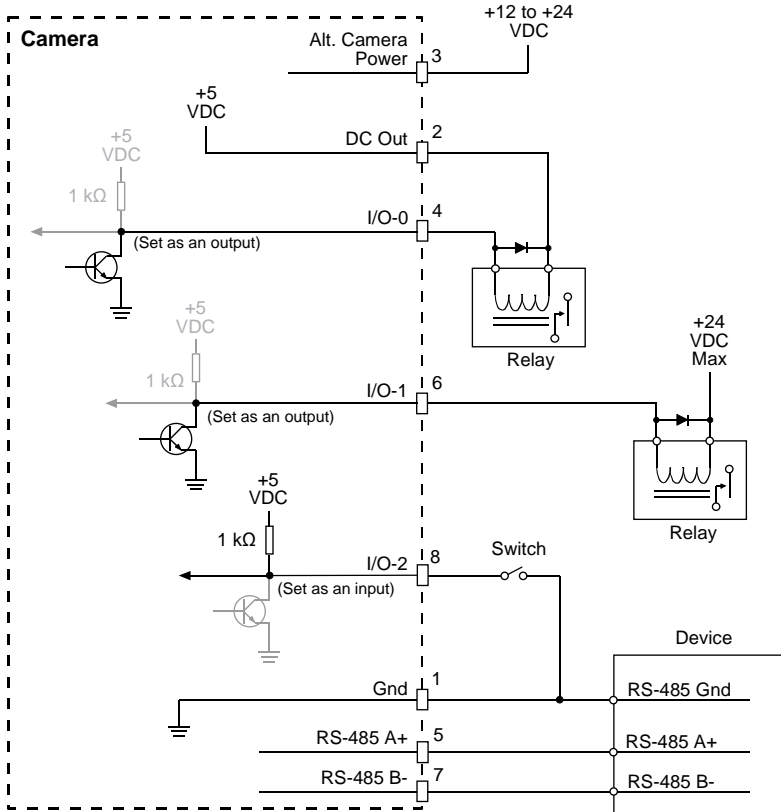
Description: B- pin for a standard RE-485 connection.

Table 1: Terminal Connector Pin Assignments



By default, the I/O-0 port is set as an output with its function set to user settable and the I/O-1 and I/O-2 ports are set as inputs with their function set to monitor. The explanations in Table 1 and the schematic on page 21 assume that you have changed the port settings.

We recommend that I/O connections be made with shielded cable and that the cable shields be connected to ground. If you are unable to connect the cable shields to ground or if you use unshielded cable, we recommend that you install a ferrite bead near to the camera on each cable to minimize electromagnetic interference.



5 Basic Specifications

Model	Sensor	Effective Pixels (H x V)	Frame Rate (at full resolution)		
			MJPEG	MPEG-4	H.264
BIP2-640c BIP2-640c-dn	1/4" progressive scan color CCD	640 x 480	60 fps	60 fps	100 fps
BIP2-1000c BIP2-1000c-dn	1/3" progressive scan color CCD	1024 x 768	30 fps	30 fps	30 fps
BIP2-1300c BIP2-1300c-dn	1/3" progressive scan color CCD	1280 x 960	30 fps	30 fps	30 fps
BIP2-1600c BIP2-1600c-dn	1/1.8" progressive scan color CCD	1600 x 1200	12.5 fps 25 fps	12.5 fps 25 fps	12.5 fps 25 fps (BIP2-1600-25c/-dn)
BIP2-1280c BIP2-1280c-dn	1/3" progressive scan color CMOS	1280 x 720	30 fps	30 fps	30 fps
BIP2-1920c BIP2-1920c-dn	1/3" progressive scan color CMOS	1920 x 1080	30 fps	30 fps	30 fps
BIP2-2500c BIP2-2500c-dn	1/2.5" progressive scan color CMOS	2560 x 1920	9 fps 15 fps	9 fps 15 fps	9 fps 15 fps (at 3 megapixel resolution)

Table 2: Basic IP Camera Specifications

Note: For full specifications, see the user's manual.

Basler IP Fixed-Box-Kamera- Installationsanleitung

Über dieses Dokument

Dieses Dokument soll bei der Installation der Basler IP Fixed-Box-Kameras in einem Netzwerk helfen. Dieses Dokument gilt für die Basler IP-Fixed-Box-Kameras, bei denen die Angabe "BIP2" einen Teil des Modellnamens bildet (Tabelle 2 auf Seite 45 zeigt eine Liste der Modelle, die in diesem Dokument beschrieben werden).

Nach abgeschlossener Installation finden Sie detaillierte Informationen über Betrieb und Funktionen im Benutzerhandbuch der Kamera. Das Benutzerhandbuch befindet sich auf der mit der Kamera gelieferten CD, die aktuellste Handbuchversion kann im Downloadbereich unserer Website www.basler-ip.com heruntergeladen werden.

Sicherheitshinweise



WARNUNG

Die Kamera ist nicht für die ungeschützte Verwendung in explosionsgefährdeten Bereichen ausgelegt.

Wenn die Kamera in explosionsgefährdeten Bereichen zum Einsatz kommen soll, ist sie in einem entsprechenden Schutzgehäuse unterzubringen.



VORSICHT

Gefährliche elektrische Spannung

Das Berühren von Bauteilen im Inneren der Kamera kann zum elektrischen Schlag führen.

Niemals das Gehäuse der Kamera öffnen. Das Gehäuse enthält keine vom Benutzer zu wartenden Bauteile.

HINWEIS

Die Kamera ist nicht für den ungeschützten Gebrauch im Freien ausgelegt und kann durch übermäßige Feuchtigkeit oder Nässe beschädigt werden.

Wenn die Kamera im Außenbereich zum Einsatz kommen soll, ist sie in einem wetterfesten Gehäuse unterzubringen.

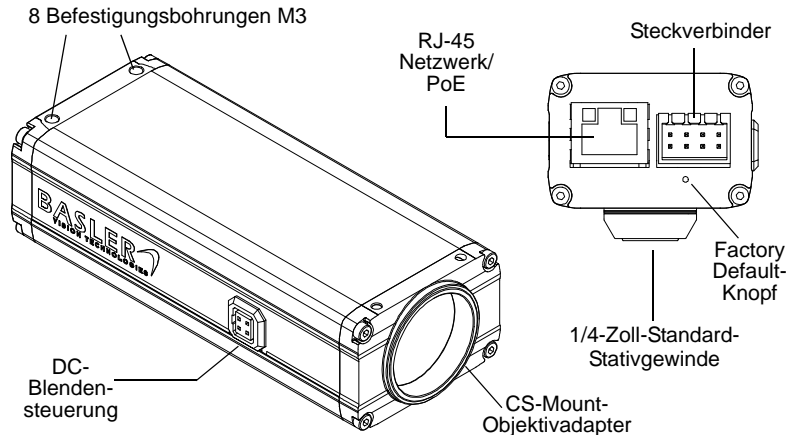
Deutsch

WEEE-Richtlinie

Die Richtlinie 2002/96/EG (WEEE-Richtlinie) der Europäischen Union regelt die Entsorgung von Elektro- und Elektronik-Altgeräten. Diese Richtlinie ist nur in den Mitgliedsstaaten der Europäischen Union gültig.

Alle Basler IP-Kameras wurden nach dem 31. August 2005 hergestellt.

1 Hardware



- **RJ-45 Netzwerk/PoE** - 10/100 Ethernet-Anschluss, auch für Stromversorgung der Kamera über Power over Ethernet (IEEE 802.3af).
- **Steckverbinder** - Anschlüsse für die alternative Stromversorgung der Kamera, für Ein- und Ausgangsschnittstellen und für eine serielle RS-485-Standard-Schnittstelle zur Steuerung eines externen Gerätes.
- **DC-Blendensteuerung** - Anschluss für DC-Auto-Iris.
- **CS-Mount-Objektivadapter** - Anschluss für Objektiv mit CS-Mount oder C-Mount (für Objektiv mit C-Mount ist ein 5-mm-Adapterring erforderlich).
- **Factory Default-Knopf** - Zum Zurücksetzen der Kamera auf Werkseinstellungen. (Weitere Informationen, siehe Benutzerhandbuch der Kamera).

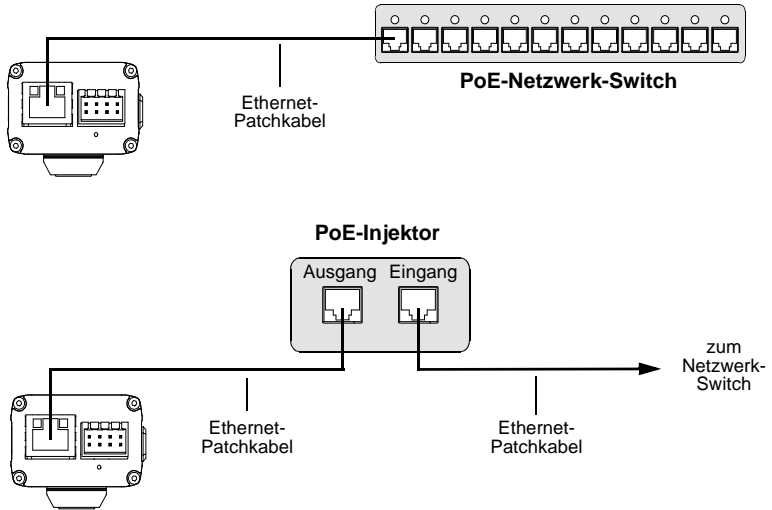
2 Installation der Kamera

2.1 Installation der Hardware

1. Kamera und passendes Objektiv in einen möglichst staubfreien Raum bringen.
2. Deckel vom Objektivadapter an der Kameravorderseite abnehmen.
3. Objektiv an der Kamera anbringen:
 - Wenn ein Objektiv mit CS-Mount genutzt wird, das Objektiv vorsichtig so weit wie möglich in den Adapter einschrauben.
 - Wenn ein Objektiv mit C-Mount genutzt wird, den 5 mm-Adapterring vorsichtig so weit wie möglich in die Objektivaufnahme der Kamera und das Objektiv vorsichtig so weit wie möglich in den Adapterring einschrauben.
4. Wenn ein Objektiv mit Auto-Iris-Mechanismus genutzt wird, Kabel am Objektiv mit dem Anschluss für die DC-Blendensteuerung an der Kameraseite verbinden (siehe Zeichnungen Seite 26).
5. Verbindung zum Ethernet herstellen und Stromversorgung der Kamera einschalten:
 - Wenn die Stromversorgung der Kamera über Ethernet-Netzwerkabel (d.h., Power over Ethernet) erfolgt, Anweisungen auf Seite 28 beachten.
 - Wenn die Stromversorgung der Kamera über den Steckverbinder mit einer externen Stromversorgung erfolgt, Anweisungen auf Seite 30 beachten.

Stromversorgung über Power over Ethernet (PoE):

6. Kamera gemäß der folgenden Abbildung mit einem PoE-Netzwerk-Switch oder einem PoE-Injektor verbinden.

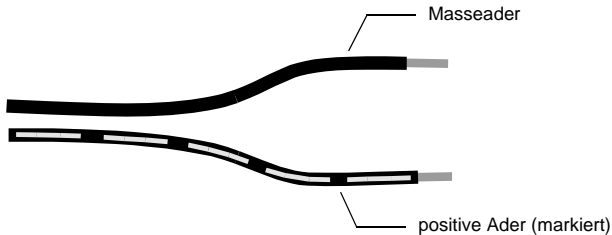


7. Wenn Geräte an die Pins DC-Out, I/O oder RS-485 im Steckverbinder der Kamera angeschlossen werden:
 - a. Informationen zu Pinbelegung und -funktionen des Steckverbinders in Abschnitt 4 lesen und festlegen, auf welche Art die Geräte mit der Kamera verbunden werden sollen.
 - b. Schwarze, 8-polige Weidmüller-Anschlussklemme, die mit der Kamera geliefert wurde, zur Hand nehmen.
 - c. Leitungen des Gerätes mithilfe der auf Seite 39 gezeigten Methode an der Weidmüller-Anschlussklemme anschließen.
 - d. Weidmüller-Anschlussklemme in den Steckverbinder an der Kamerarückseite einstecken.
8. Fortfahren mit Abschnitt 2.2 auf Seite 32.

Stromversorgung über Steckverbinder:

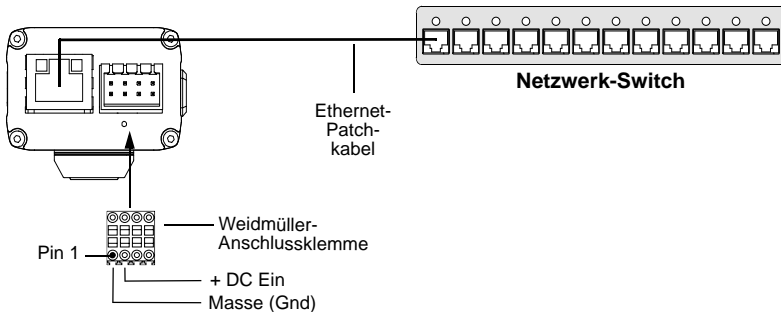
6. Sicherstellen, dass die Stromversorgung den in Tabelle 1 auf Seite 40 genannten Anforderungen und der Leitungsdurchmesser den Angaben auf Seite 39 entspricht.
7. Schwarze, 8-polige Weidmüller-Anschlussklemme, die mit der Kamera geliefert wurde, zur Hand nehmen.
8. Masseader der Stromversorgung mithilfe der auf Seite 39 beschriebenen Methode an Pin 1 der Anschlussklemme und die positive Ader an Pin 3 anklemmen.

Wie in der folgenden Abbildung zu sehen ist, ist die positive Ader üblicherweise mit einem weißen oder farbigen Streifen o.ä. markiert. (Ist die positive Ader nicht sicher zu erkennen, diese mit einem Spannungsmessgerät ermitteln.)



9. Wenn Geräte an die Pins DC-Out, I/O oder RS-485 im Steckverbinder der Kamera angeschlossen werden:

- a. Informationen zu Pinbelegungen und -funktionen des Steckverbinders in Abschnitt 4 lesen und festlegen, auf welche Weise die Geräte mit der Kamera verbunden werden sollen.
 - b. Geräteleitungen an die Weidmüller-Anschlussklemme anschließen.
10. Ethernet-Kabel mit der RJ-45-Buchse an der Kamera und dem Netzwerk-Switch verbinden wie in der folgenden Abbildung dargestellt.



11. Weidmüller-Anschlussklemme in den Steckverbinder an der Kamerarückseite einstecken.
12. Stromversorgung einstecken oder einschalten.
13. Fortfahren mit Abschnitt 2.2 auf Seite 32.

2.2 Lokalisieren der Kamera im Netzwerk und erster Zugriff auf die Kamera

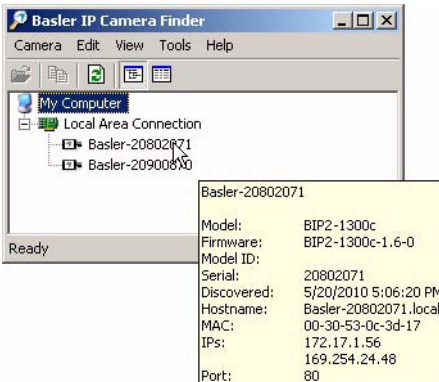
- Bei der Suche der Kamera im Netzwerk wird vorausgesetzt, dass sich die Kamera im selben Subnetz wie der Rechner befindet und dass Windows® als Betriebssystem des Rechners verwendet wird.
- Es wird ein Webbrowser verwendet, um auf die Basler IP Fixed-Box-Kamera zuzugreifen. Die empfohlenen Webbrowser sind Microsoft Internet Explorer Version 8.0 oder höher und Mozilla Firefox Version 3.6 oder höher.
- Wenn das Netzwerk einen Proxyserver verwendet und der Webbrowser so eingestellt ist, diesen zu nutzen, wird der Webbrowser nicht auf die Kamera zugreifen können. Um dieses Problem zu vermeiden, müssen die Verbindungseinstellungen des Webbrowsers so geändert werden, dass der Proxyserver nicht für lokale Adressen verwendet wird.
- Sicherstellen, dass Javascript in Ihrem Browser aktiviert ist.

Basler IP-Kamera im Netzwerk lokalisieren und Erst-Zugriff durchführen:

1. Die mit der Kamera gelieferte CD in das CD-ROM-Laufwerk des Rechners einlegen.
2. Das Programm **BIPFinder.exe** von der CD auf die Festplatte des Rechners kopieren. Der BIP Finder ist ein eigenständiges Programm und muss nicht installiert werden.
(Sie können die BIP Finder-Software auch aus dem Download-Bereich unserer Website: www.baslerweb.com herunterladen.)
3. Auf dem Desktop eine Verknüpfung zum BIP Finder-Programm erstellen.

4. Auf die Verknüpfung BIP Finder doppelklicken. Die BIP Finder-Software öffnet sich, findet die Basler IP-Kamera(s) im Netzwerk und zeigt diese in einer Baumstruktur an.

Die mit Ihrem Netzwerk verbundenen Basler IP-Kameras werden im BIP Finder-Fenster mit der Seriennummer aufgelistet. Wenn der Cursor über eine Seriennummer bewegt wird, erscheint wie in der folgenden Abbildung zu sehen ist, eine Liste von Informationen zu dieser Kamera, einschließlich der IP-Adresse.



Hinweis: Die BIP Finder-Software hat ein breites Spektrum an Funktionen, einschließlich der Möglichkeit umfangreiche Informationen zu jeder im Netzwerk befindlichen Kamera anzuzeigen, und Firmware-Updates auf diesen Kameras durchzuführen. Um sich mit allen Möglichkeiten der Software vertraut zu machen, empfehlen wir die Durchsicht der im BIP Finder-Softwarepaket enthaltenen Hilfedatei.

5. Auf die Seriennummer der Kamera im Fenster des BIP Finders doppelklicken.

Der unten abgebildete Screenshot zeigt, wie sich der Webbrowser öffnet und auf den Basler Surveillance Web Client in der ausgewählten Kamera zugreift.

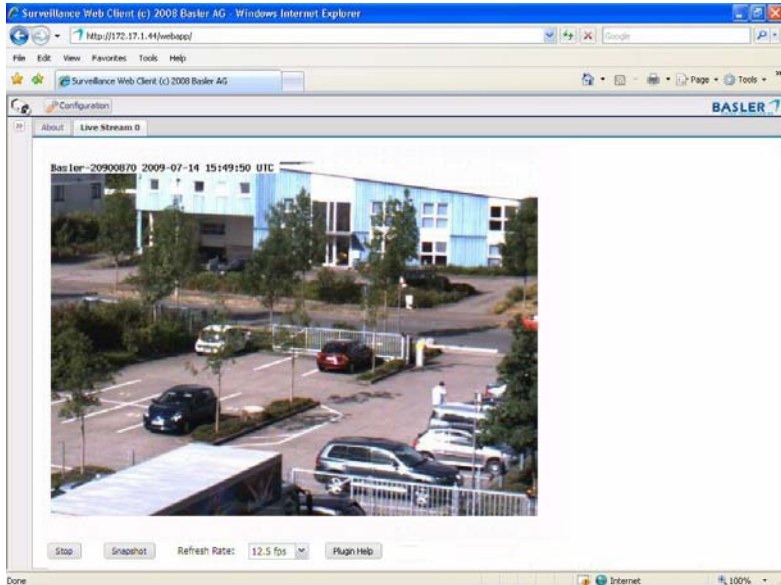


Beim ersten Zugriff auf die Kamera über den Webbrowser könnte eine Meldung erscheinen, die die Installation eines ActiveX-Steuerelements durch Klicken auf die Informationsleiste empfiehlt. Das ActiveX-Steuerelement wird von Basler geliefert und wird verwendet, um Bilddatenströme im Browser anzuzeigen. Die Installation dieses Steuerelements wird empfohlen. Dazu folgende Schritte ausführen:

- a. Auf gelbe Informationsleiste klicken und **Install ActiveX Control** aus dem Menü wählen.

- b. Wenn sich das Fenster **Do you want to install this software?** öffnet, Schaltfläche **Install** klicken.
- c. Wenn die Installation abgeschlossen ist, im Browser Schaltfläche Aktualisieren klicken.

Der Basler Surveillance Web Client zeigt nun den Live-Bilddatenstrom der Kamera, siehe unten.



Umfassende Informationen zur Nutzung des Basler Surveillance Web Clients für die Änderung von Kameraeinstellungen und Ansicht von Kamerabildern, siehe Benutzerhandbuch. Das Benutzerhandbuch befindet

sich auf der mit der Kamera gelieferten CD, die aktuellste Version kann im Downloadbereich unserer Website:

www.basler-ip.com heruntergeladen werden.

3 Firmware-Updates

Um sicherzustellen, dass die Funktionalität der Kamera auf dem neuesten Stand ist, sollten Sie sich regelmäßig im Downloadbereich der Basler-Website informieren, ob es neue Dateien zum Update der Firmware gibt. Die Internetadresse lautet:

www.basler-ip.com

Mit Hilfe des Basler Surveillance Web Clients können Sie sich die aktuell installierte Firmware-Version auf der Kamera anzeigen lassen und ein Firmware-Update durchführen. Weitere Informationen zur Anzeige der aktuellen Firmware-Version und zum Firmware-Update über den Web Client finden Sie im Benutzerhandbuch der Kamera. Das Benutzerhandbuch befindet sich auf der mit der Kamera gelieferten CD oder als aktuellste Version im Downloadbereich der Basler-Website.

Mit Hilfe der Basler IP Camera Finder-Software (Version 1.4 oder höher) können Sie sich auch die aktuelle Firmware-Version anzeigen lassen und Firmware-Update-Dateien auf die Kamera laden (siehe Abschnitt 2.2). Die BIP Finder-Software ermöglicht es Ihnen sogar, sich gleichzeitig die aktuellen Firmware-Versionen verschiedener Kameras anzeigen zu lassen sowie Firmware-Updates parallel auf mehreren Kameras durchzuführen. Weitere Informationen zur Anzeige der Firmware-Version und zu Firmware-Updates mit dem BIP Finder, siehe BIP Finder-Hilfedatei (die Hilfedatei ist als separate Datei im BIP Finder-Softwarepaket enthalten).

4 Steckverbinder

Funktionen des 8-poligen Steckverbinders an der Kamerarückseite:

- Stromversorgung der Kamera (wenn PoE nicht genutzt wird)
- Zugriff auf I/O-Schnittstellen der Kamera
- Zugriff auf RS-485-Schnittstelle

Der Steckverbinder an der Kamera ist als Weidmüller-Steckverbinder (Teilenummer 1807480000) ausgeführt.

Der empfohlene Gegenstecker ist eine 8-polige Weidmüller-Anschlussklemme (Teilenummer 1727650000). Eine solche Anschlussklemme ist im Lieferumfang jeder Kamera enthalten.

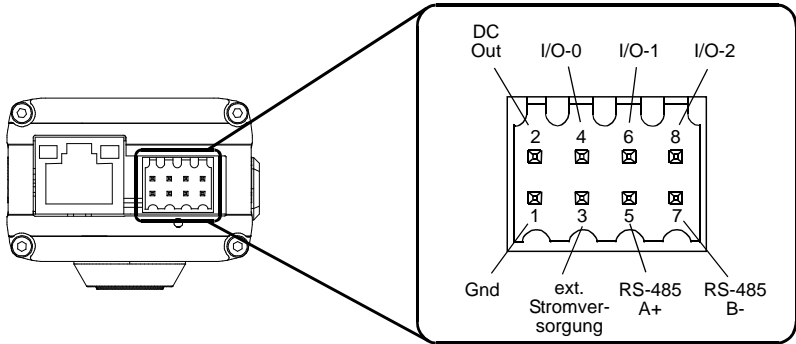
HINWEIS

Keine Wechselspannung oder von der Spezifikation abweichende Spannung an die Kamera anlegen.

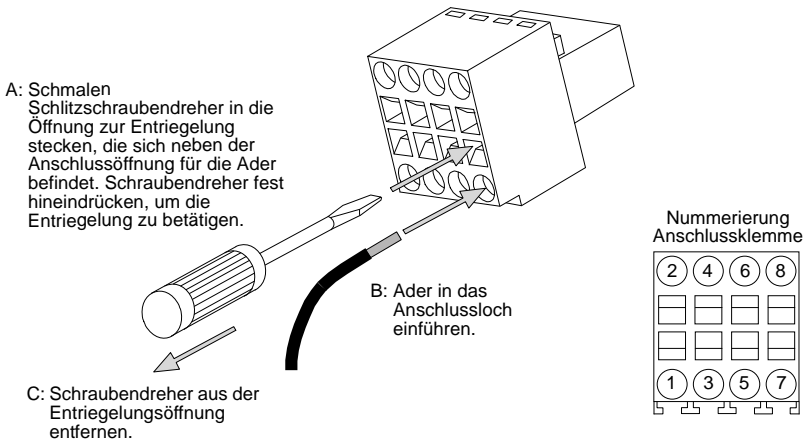
1. Nur Gleichspannung anlegen. Das Anlegen von Wechselspannung kann zu schwerwiegenden Schäden an der Kamera führen.
2. Sicherstellen, dass die Spannungswerte innerhalb der in Tabelle 1 auf Seite 40 festgelegten Grenzwerte liegen. Das Anlegen von Spannungen, die außerhalb der festgelegten Grenzen liegen, kann zu schwerwiegenden Schäden an der Kamera führen.

Die Pinnummerierung und -belegungen des Steckverbinders sind unten angegeben.

Die Pinbelegungen sind in Tabelle 1 auf Seite 40 im Detail beschrieben.



Beim Ankleben der Adern an der Weidmüller-Anschlussklemme, dem Gegenstecker zum Steckverbinder, ist die im Folgenden beschriebene Methode anzuwenden. Die Adern werden in der Anschlussklemme durch Zugfedern festgehalten. Diese sind besonders fest und deswegen ist es unbedingt erforderlich, die beschriebene Methode anzuwenden, um die Adern richtig anzuklemmen.



Sicherstellen, dass jede verwendete Ader folgende Eigenschaften aufweist:

- Minimaler Querschnitt von $0,08 \text{ mm}^2$ und maximaler Querschnitt von $1,0 \text{ mm}^2$. Es können Litzenleitungen oder Massivdrahtleitungen verwendet werden.
- Die Aderenden müssen 7 mm abisoliert werden.

- Aderendhülsen sind bei Litzenleitungen nicht vorgeschrieben, können aber auf Wunsch verwendet werden. Wenn Aderendhülsen verwendet werden, müssen diese einen Querschnitt zwischen $0,13 \text{ mm}^2$ und $0,34 \text{ mm}^2$ aufweisen.

Pin #: 1 Funktion: Masse

Beschreibung: Masse für die Stromversorgung der Kamera, I/O-0, I/O-1, I/O-2 und die serielle Schnittstelle RS-485.

Pin #: 2 Funktion: Ausgang DC Out

Beschreibung: Der Ausgang DC Out liefert +5,0 V Gleichspannung und kann ein kleines Gerät wie das Relais im Schaltschema auf Seite 44 versorgen. Die maximale Last am Ausgang DC Out ist 100 mA. Wenn eine induktive Last z. B. ein Relais an den Ausgang DC Out angeschlossen ist, muss wie im Schaltschema zu sehen, eine Diode parallel zur Last geschaltet werden.

Pin #: 3 Funktion: Ersatzstromversorgung

Beschreibung: Diesen Pin zur Stromversorgung der Kamera nutzen (falls die Stromversorgung nicht über PoE erfolgt).

Nennbetriebsspannung: +12 V Gleichspannung

Zulässiger Spannungsbereich: +12 bis +24 V Gleichspannung ($\pm 10 \%$)

Maximale Leistungsaufnahme: 5 W

Tabelle 1: Pinbelegung Steckverbinder

Pin #: 4, 6, 8 **Funktion:** entsprechen I/O-0, I/O-1 und I/O-2

Beschreibung: Jede I/O-Schnittstelle kann eingestellt werden, um als Ein- oder Ausgang zu arbeiten. Die Funktionswahl und ob eine bestimmte I/O-Schnittstelle als Eingang oder Ausgang arbeitet, werden bei der Einstellung der Kameraparameter vorgenommen (Weitere Informationen zur Einstellung der Kameraparameter, siehe Benutzerhandbuch).

Für jede I/O-Schnittstelle, die als Eingang geschaltet ist:

Im Schaltschema auf Seite 44 wurde I/O-2 eingestellt, um als Eingang zu arbeiten. Wie im Schaltschema dargestellt, wird eine Eingangsschnittstelle in der Regel über einen Schalter mit Masse verbunden.

Wie in der unten abgebildeten Tabelle aufgeführt, wird die Eingangsschnittstelle abhängig von der Schalterstellung (offen oder geschlossen) und abhängig von der Einstellung des Modus (normal oder invertiert) von der Kamera als aktiv oder inaktiv erkannt.

Weitere Informationen zur Vorgehensweise, um eine Schnittstelle invertiert einzustellen, siehe Benutzerhandbuch der Kamera.

Schalterstellung	Schnittstelle invertiert geschaltet	Eingang erkannt als
Offen	Nein	Inaktiv
Geschlossen	Nein	Aktiv
Offen	Ja	Aktiv
Geschlossen	Ja	Inaktiv

(Beschreibung der Pins 4, 6, 8 wird auf der folgenden Seite fortgeführt.)

Tabelle 1: Pinbelegung Steckverbinder

(Fortführung der Beschreibung der Pins 4, 6, 8 von vorheriger Seite.)

Für jede I/O-Schnittstelle, die als Ausgang geschaltet ist:

Im Schaltschema auf Seite 44 wurden I/O-0 und I/O-1 eingestellt, um als Ausgänge zu arbeiten. Eine Ausgangsschnittstelle verfügt über einen Transistor mit offenem Kollektor, der, wie im Schaltschema gezeigt, mit Masse verbunden ist.

In Abhängigkeit vom Zustand und vom Modus des Ausgangs (normal oder invertiert), wird dieser über den Transistor mit Masse verbunden oder nicht verbunden, siehe Tabelle unten.

Weitere Informationen zur Vorgehensweise, um eine Schnittstelle invertiert einzustellen, siehe Benutzerhandbuch der Kamera.

Hinweis: Wenn eine Ausgangsschnittstelle auf den invertierten Modus eingestellt ist und ein Neustart der Kamera erfolgt, ist der Ausgang währenddessen im Normalmodus und kehrt nach Abschluss des Startvorganges in den invertierten Modus zurück.

Zustand des Ausgangs	Schnittstelle invertiert geschaltet	Ausgangspin mit Masse verbunden
Inaktiv	Nein	Nein
Aktiv	Nein	Ja
Inaktiv	Ja	Ja
Aktiv	Ja	Nein

Der Ausgang darf mit einer maximalen Stromstärke von 100 mA belastet werden.

Außerdem darf eine maximale Gleichspannung von +24 V angelegt werden.

Wenn eine induktive Last, z. B. ein Relais, an die Ausgangsschnittstelle angeschlossen ist, muss eine Diode parallel zur Last geschaltet werden, siehe Schaltschema auf Seite 44.

Tabelle 1: Pinbelegung Steckverbinder

Pin #: 5 Funktion: RS-485 A+

Beschreibung: Pin A+ für eine Standard RS-485-Verbindung.

Pin #: 7 Funktion: RS-485 B-

Beschreibung: Pin B- für eine Standard RE-485-Verbindung.

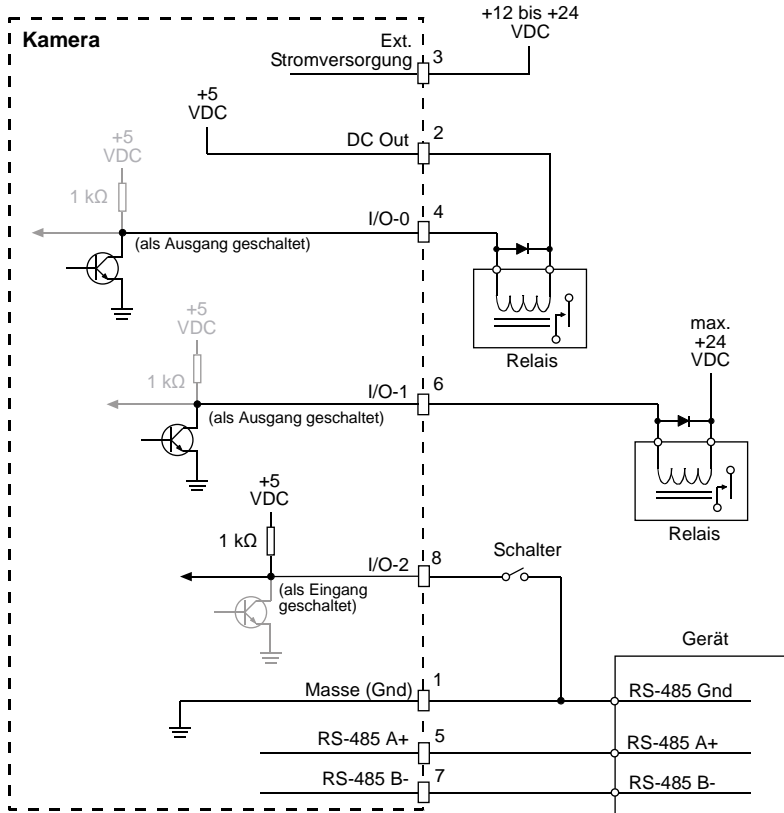
Deutsch

Tabelle 1: Pinbelegung Steckverbinder



Standardmäßig ist die Schnittstelle I/O-0 als Ausgang mit vom Nutzer einstellbarer Funktion und die Schnittstellen I/O-1, I/O-2 sind als Eingänge mit Überwachungsfunktion eingestellt. Die Erläuterungen in Tabelle 1 und das Schaltschema auf Seite 44 beziehen sich auf veränderte Schnittstellen-Einstellungen.

Wir empfehlen, die Verbindungen zu Ein- und Ausgängen mit geschirmten Leitungen auszuführen und die Leitungsschirme mit Masse zu verbinden. Wenn es nicht möglich ist, die Leitungsschirme mit Masse zu verbinden, oder wenn ungeschirmte Leitungen verwendet werden, empfehlen wir Ferritperlen in Kameranähe an den Leitungen anzubringen, um die elektromagnetische Interferenz zu verringern.



5 Technische Spezifikationen

Modell	Sensor	Effektive Pixel (H x V)	Bildrate (volle Auflösung)		
			MJPEG	MPEG-4	H.264
BIP2-640c BIP2-640c-dn	1/4" Progressive Scan Color CCD	640 x 480	60 fps	60 fps	100 fps
BIP2-1000c BIP2-1000c-dn	1/3" Progressive Scan Color CCD	1024 x 768	30 fps	30 fps	30 fps
BIP2-1300c BIP2-1300c-dn	1/3" Progressive Scan Color CCD	1280 x 960	30 fps	30 fps	30 fps
BIP2-1600c BIP2-1600c-dn	1/1.8" Progressive Scan Color CCD	1600 x 1200	12,5 fps 25 fps	12,5 fps 25 fps	12,5 fps 25 fps (BIP2-1600-25c/-dn)
BIP2-1280c BIP2-1280c-dn	1/3" Progressive Scan Color CMOS	1280 x 720	30 fps	30 fps	30 fps
BIP2-1920c BIP2-1920c-dn	1/3" Progressive Scan Color CMOS	1920 x 1080	30 fps	30 fps	30 fps
BIP2-2500c BIP2-2500c-dn	1/2.5" Progressive Scan Color CMOS	2560 x 1920	9 fps 15 fps	9 fps 15 fps	9 fps 15 fps (bei 3 Megapixel Auflösung)

Tabelle 2: Technische Spezifikationen der Basler IP-Kamera

Hinweis: Vollständige Spezifikationen, siehe Benutzerhandbuch.