

Basler IP Fixed Dome Camera



Wall Bracket Kit Installation Guide

Document Number: AW000933

Version: 01 Language: 000 (English)

Release Date: 11 June 2010

BASLER 

Contacting Basler Support Worldwide

Europe and the Middle East:

Basler AG
An der Strusbek 60 - 62
22926 Ahrensburg
Germany

Phone: +49-4102-463-303
Fax: +49-4102-463-599
Email: bc.support.ip.emea@baslerweb.com

The Americas:

Basler, Inc.
855 Springdale Drive, Suite 203
Exton, PA 19341
U.S.A.

Phone: +1-610-280-0171
Fax: +1-610-280-7608
Email: bc.support.ip.usa@baslerweb.com

Asia:

Basler Asia Pte. Ltd
8 Boon Lay Way
03 - 03 Tradehub 21
Singapore 609964

Phone: +65-6425-0472
Fax: +65-6425-0473
Email: bc.support.ip.asia@baslerweb.com

www.basler-ipcam.com

All material in this publication is subject to change without notice and is copyright Basler Vision Technologies.

1 Introduction



WARNING

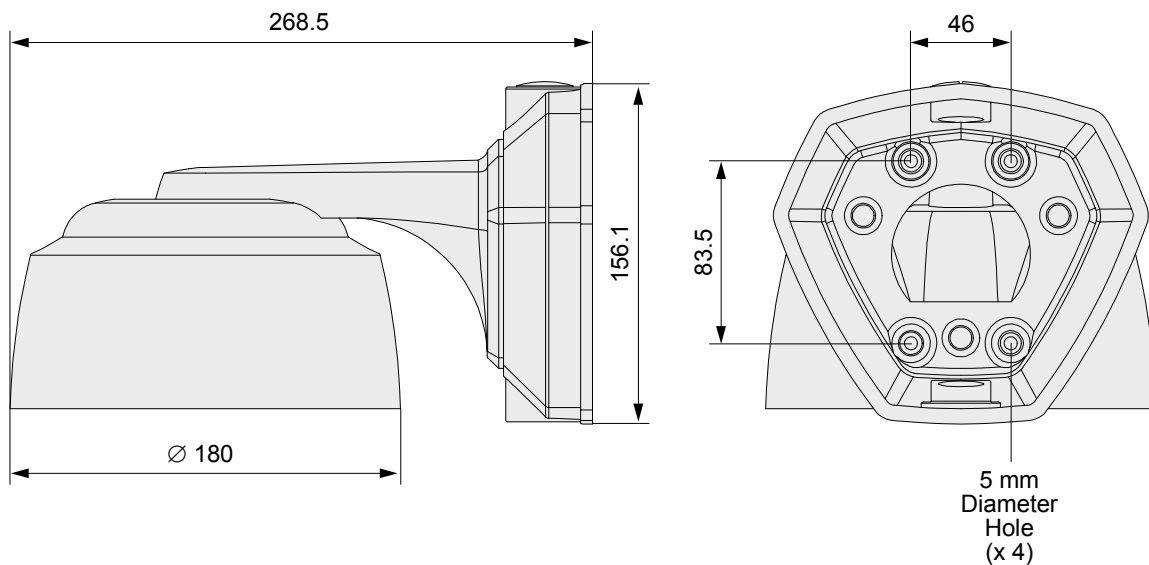
The installation should be made by a qualified service person and should comply with all local codes. The connection between the wall bracket and the wall must be able to support at least two times the weight of the wall bracket kit plus the dome camera.

The kit plus the dome camera weighs 2.5 kilograms (5.5 pounds).

Document Intent

The intent of this document is to help you install a wall bracket kit for the Basler IP Fixed Dome Camera. This document should be used in combination with the *Basler IP Fixed Dome Camera Installation Guide* (AW000902xx000). The camera installation guide includes information you will need to successfully mount the camera on the wall bracket.

Dimensions (in mm)



2 Installation

The wall bracket and the dome camera should be assembled as shown in the exploded drawing on the next page.

The anchoring system you use to attach the wall adapter plate to the wall must be able to support at least two times the weight of the wall bracket kit plus the dome camera. The wall bracket kit plus the dome camera weighs 2.5 kilograms (5.5 pounds).

The screws in the exploded drawing marked "Adapter Plate Mounting Screw" should be supplied by the installer and must be appropriate for the anchoring system used to attach the wall adapter plate to the wall. The four mounting screw holes in the wall adapter plate are 5 millimeters in diameter.

As you are assembling the bracket kit, we suggest that you thread the network cable and the secondary cable through the unit as shown in the exploded drawing.

We recommend assembling the kit in the following order:

1. Place the wall adapter gasket on the wall adapter plate, insert the hole plugs into the wall adapter plate, and mount the wall adapter plate on the wall.
2. Place the bracket arm gasket on the bracket arm and attach the bracket arm to the wall adapter plate with three M5 x 20 screws.
3. Attach the camera adapter seal to the camera adapter (the seal is a peel-and-stick type).
4. Attach the camera adapter to the bracket arm with four M4 x 10 screws.
5. Attach the dome camera base to the camera adapter with three M4 x 10 screws.
6. Follow the instructions in the *Basler IP Fixed Dome Camera Installation Guide* to complete the dome camera installation.

