

Basler Components

```
CLUINT32 portIndex((CLUINT32)-1);
char szPortID[260] = {0};
CLUINT32 portIDLen = sizeof(szPortID);
if (numPorts > 1)
{
    for (CLUINT32 i = 0; i < numPorts; ++i)
    {
        portIDLen = sizeof(szPortID);
        res = pfn_clGetSerialPortIdentifier(i, szPortID, &portIDLen);
        if (res != CL_ERR_NO_ERR)
        {
```

Ace IR-Cut Filter Holder Removal Procedure

APPLICATION NOTES

Document Number: AW000906

Version: 02 Language: 000 (English)

Release Date: 15 July 2010



Contacting Basler Support Worldwide

Europe:

Basler AG
An der Strusbek 60 - 62
22926 Ahrensburg
Germany
Tel.: +49-4102-463-515
Fax.: +49-4102-463-599
bc.support.europe@baslerweb.com

Americas:

Basler, Inc.
855 Springdale Drive, Suite 203
Exton, PA 19341
U.S.A.
Tel.: +1-610-280-0171
Fax.: +1-610-280-7608
bc.support.usa@baslerweb.com

Asia:

Basler Asia Pte. Ltd
8 Boon Lay Way
03 - 03 Tradehub 21
Singapore 609964
Tel.: +65-6425-0472
Fax.: +65-6425-0473
bc.support.asia@baslerweb.com

www.baslerweb.com

All material in this publication is subject to change without notice and is copyright Basler Vision Technologies.

1 Introduction

This document explains how to remove the IR-cut filter holder from a Basler ace camera. The filter holder is located in the camera at the base of the lens mount.

Required Tools

2 - M2 x 12 mm (or longer) screws

or

2 - UNC #1-64 x 1/2" (or longer) screws

or

2 - UTS #1-72 x 1/2" (or longer) screws

1 - appropriate screwdriver

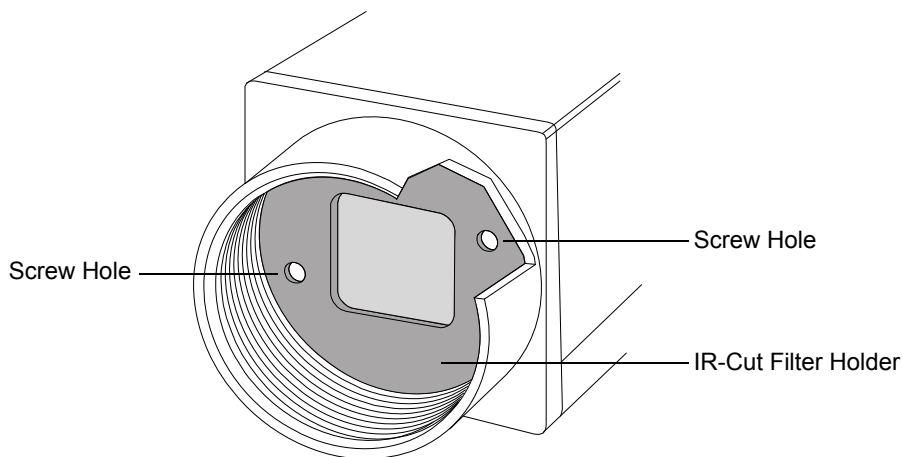
2 Steps

NOTICE

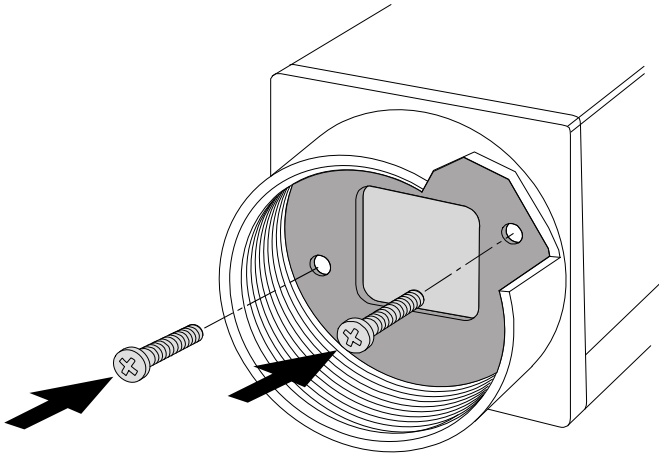
When you are performing the steps below, small plastic particles will be generated. **You must make sure that the camera is pointing down when you perform this procedure.** This will allow the particles to fall out of the camera rather than onto the sensor.

If particles do accumulate on the sensor, you can clean the sensor by wiping it gently with a cotton cloth moistened with a small amount of high quality window cleaner.

1. Remove the lens from the camera.
2. Look into the lens mount and notice the black plastic IR-cut filter holder at the base of the lens mount. Also note the two small screw holes on each side of the filter holder as shown below.



3. While making sure that the camera is pointing down, insert a screw into each screw hole as shown below and turn each screw about three turns.



4. While keeping the camera pointed down, alternately turn each screw about three turns. As you are turning the screws, they will strike against the camera body and will begin pushing the filter holder out of its mounting points.
When the screws have been screwed into the holder about 5 mm (0.2 inch), the holder will release from its mounting points and will fall out of the camera.
5. Reinstall the lens.

Revision History

| Doc. ID Number | Date | Changes |
|----------------|-------------|--|
| AW00090601000 | 10 Mar 2010 | Initial release of this document. |
| AW00090602000 | 15 Jul 2011 | Updated the sizes of the screws needed to remove the filter. |

