

# Basler IP Fixed Dome Camera



## **Suspended Ceiling Kit Installation Guide**

Document Number: AW000901

Version: 02 Language: 000 (English)

Release Date: 26 February 2010

**BASLER** 

## **Contacting Basler Support Worldwide**

### **Europe:**

Basler AG  
An der Strusbek 60 - 62  
22926 Ahrensburg  
Germany  
[bc.support.ip@baslerweb.com](mailto:bc.support.ip@baslerweb.com)

### **Americas:**

Basler, Inc.  
855 Springdale Drive, Suite 203  
Exton, PA 19341  
U.S.A.  
[bc.support.ip@baslerweb.com](mailto:bc.support.ip@baslerweb.com)

### **Asia:**

Basler Asia Pte. Ltd  
8 Boon Lay Way  
# 03 - 03 Tradehub 21  
Singapore 609964  
[bc.support.ip@baslerweb.com](mailto:bc.support.ip@baslerweb.com)

**[www.basler-ipcam.com](http://www.basler-ipcam.com)**

**All material in this publication is subject to change without notice and is copyright Basler Vision Technologies.**

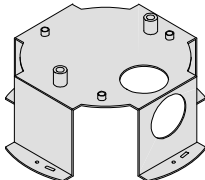
# 1 Introduction

	<b>WARNING</b>
<p>The installation should be made by a qualified service person and should comply with all local codes. The connection to the ceiling must be able to support at least two times the weight of the suspended ceiling kit plus the camera.</p> <p>The kit plus the camera weighs 1.2 kilograms (2.7 pounds).</p>	

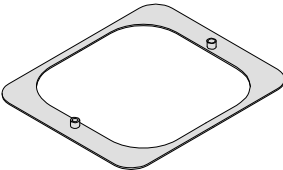
## Document Intent

The intent of this document is to help you install a suspended ceiling mounting kit for the Basler IP Fixed Dome Camera. This document should be used in combination with the *Basler IP Fixed Dome Camera Installation Guide (AW000902xx000)*. The camera installation guide includes information that you will need to successfully complete the camera installation.

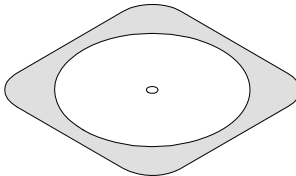
## Kit Contents



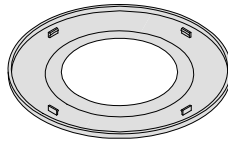
In-ceiling Housing



In-ceiling Plate



Template



Trim Ring

Turnbuckle



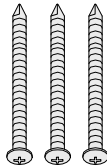
Wire Rope Clamps



Wire Rope



M3 x 70 Screws



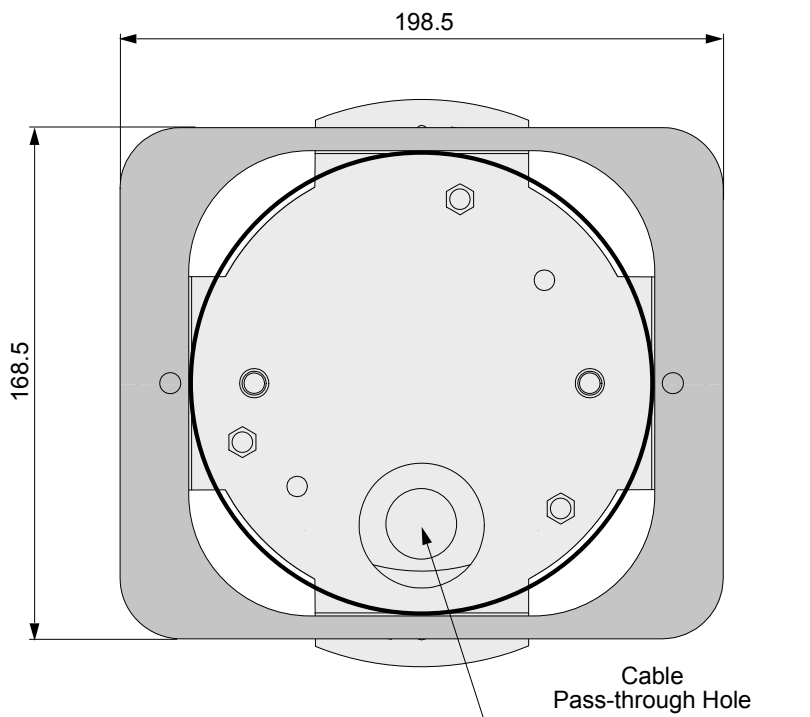
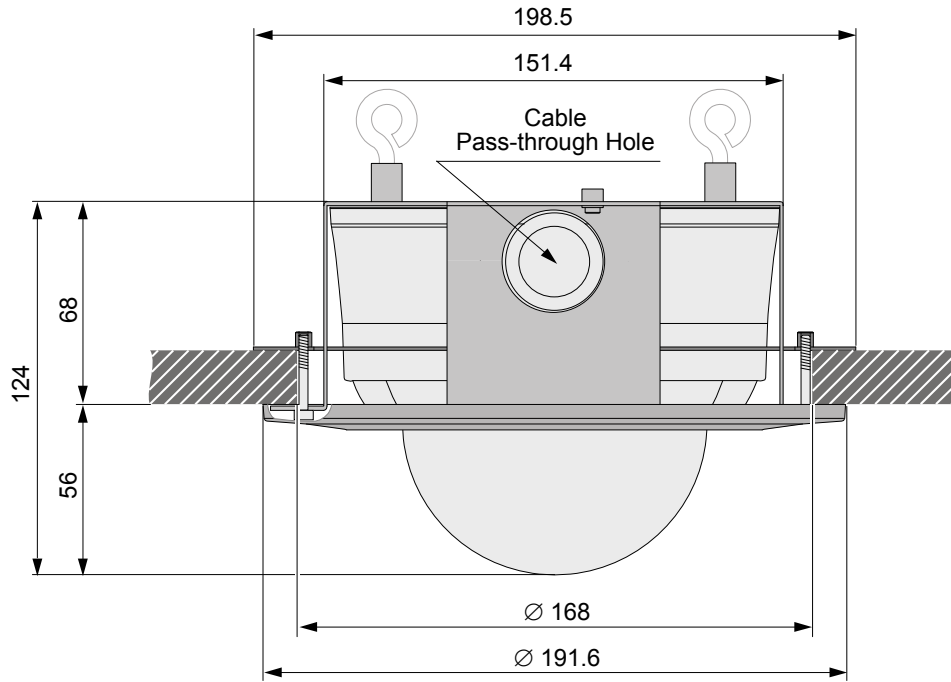
M4 x 8 Screws



Eye Bolts



## Dimensions (in mm)

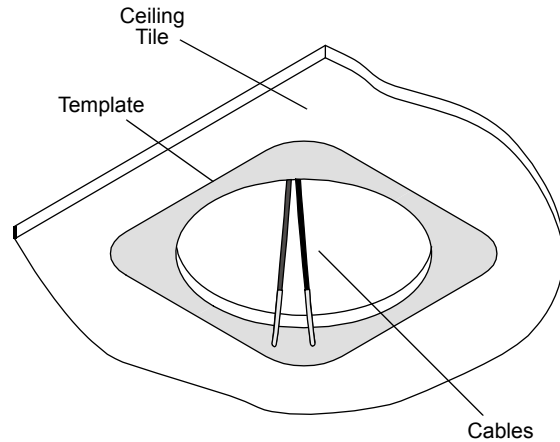


## 2 Installation Steps

1. Place the template against the ceiling tile in the location where you want to install the dome camera and use the template to mark a 168 mm hole on the tile.

Cut the marked hole in the ceiling tile.

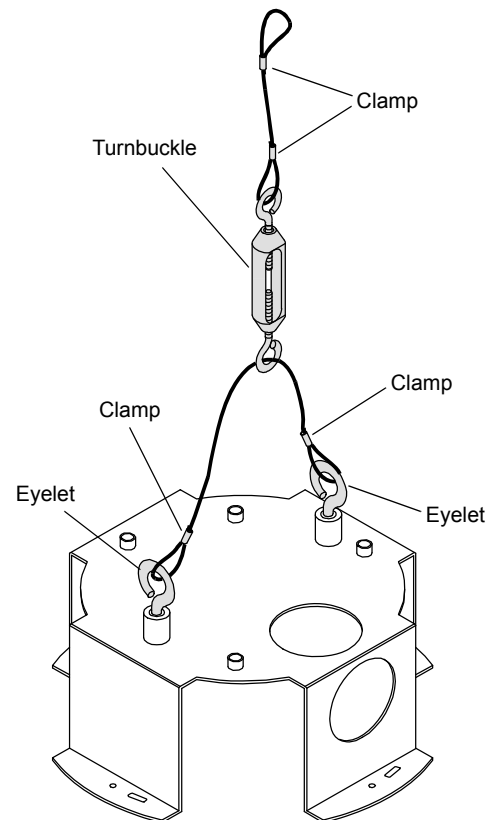
Route the network and I/O cables through the hole in the ceiling tile.



2. Install two eyelets in the top of the in-ceiling housing.

Install the turnbuckle and wire rope as shown in the drawing at right.

Use pliers or a similar tool to crimp the clamps tightly onto the wire rope.

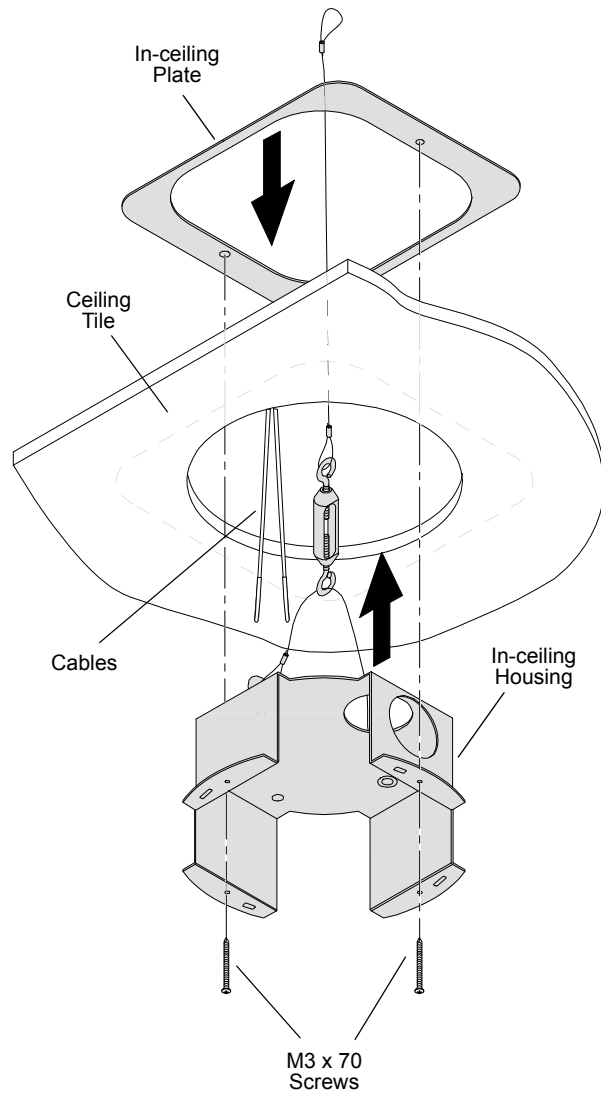


3. Place the in-ceiling plate on top of the ceiling tile.

Insert the in-ceiling housing up through the hole in the ceiling tile and through the center of the in-ceiling plate.

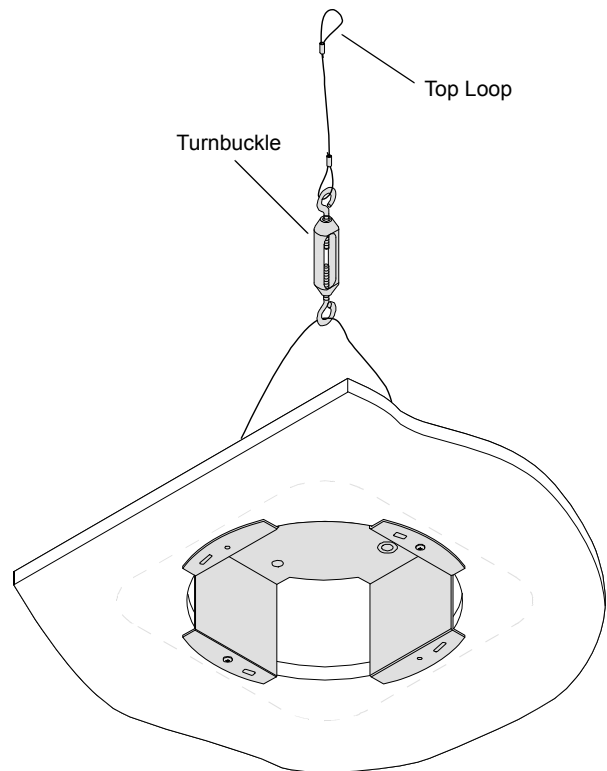
Route the network and I/O cables through the cable hole in the in-ceiling housing.

Use two M3 x 70 screws to secure the in-ceiling housing to the in-ceiling plate as shown in the drawing at right.



- Securely connect the top loop of the wire rope to a structural member of the building. The structural member must be strong enough to support at least two times the weight of the suspended ceiling kit plus the camera. The kit plus the camera weighs 1.2 kilograms (2.7 pounds).

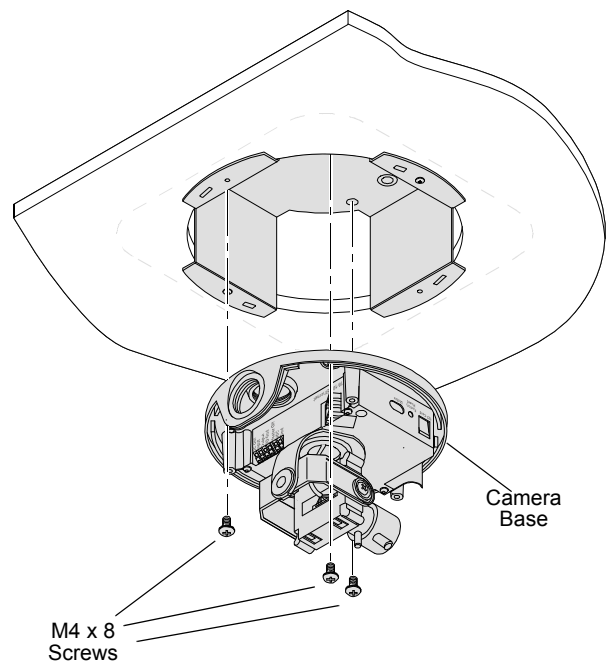
Tighten the turnbuckle until all of the slack is removed from the wire rope.



- Install the camera base in the in-ceiling housing using three M4 x 8 screws as shown in the drawing at right.

Route the network and I/O cables through the hole in the bottom of the camera base.

Make the electrical connections as described in the camera installation guide.



6. Install the dome and trim ring as shown in the drawing at right.  
When installing the dome, do not forget to attach the safety strap in the dome to camera base.

