

Basler IP Camera



**Installation
Guide**

**Installations-
anleitung**

Document Number: AW000663

Version: 10 Language: 000

Release Date: 28 June 2010



Contacting Basler Support Worldwide

Europe and the Middle East:

Basler AG
An der Strusbek 60 - 62
22926 Ahrensburg
Germany

Phone: +49-4102-463-303
Fax: +49-4102-463-599
Email: bc.support.ip.emea@baslerweb.com

The Americas:

Basler, Inc.
855 Springdale Drive
Suite 203
Exton, PA 19341
U.S.A.

Phone: +1-610-280-0171
Fax: +1-610-280-7608
Email: bc.support.ip.usa@baslerweb.com

Asia:

Basler Asia Pte. Ltd
8 Boon Lay Way
03 - 03 Tradehub 21
Singapore 609964

Phone: +65-6425-0472
Fax: +65-6425-0473
Email: bc.support.ip.asia@baslerweb.com

www.basler-ipcam.com

All material in this publication is subject to change without notice and is copyright Basler Vision Technologies.

Basler IP Camera Installation Guide

About This Document

This document is intended to help you install your Basler IP camera on a network. When installation is complete, refer to the camera user's manual for detailed information about operation and features. You can find the camera user's manual on the CD delivered with your camera, or you can find the latest version of the manual in the Downloads section of our website:

www.basler-ipcam.com

Precautions



WARNING

The camera is not designed for use in an explosive atmosphere.

1. If you use the camera in an explosive atmosphere, it must be enclosed within an appropriate environmental housing.



⚠ CAUTION

Electrical Shock Hazard

Touching the camera's internal components may result in an electrical shock.

1. Do not open the camera housing. The housing contains no user serviceable parts.

NOTICE

The camera is not designed for unprotected outdoor use and can be damaged by excessively damp or wet conditions.

1. If you are using the camera outdoors, you should mount the camera in a weatherproof housing.

WEEE Directive

The European Union has enacted Directive 2002/96/EC on Waste Electrical and Electronic Equipment (the WEEE Directive). This directive is only applicable in European Union member states.

All Basler IP Cameras have been manufactured after the 31st of August 2005.

1 Basic Specifications

Specification	BIP-640c / BIP-640c-dn	BIP-1000c / BIP-1000c-dn
Sensor	1/3" Sony progressive scan color CCD	1/3" Sony progressive scan color CCD
Effective Pixels	640 (H) x 480 (V)	1024 (H) x 768 (V)
Frame Rate	MJPEG MPEG-4 H.264	MJPEG MPEG-4 H.264
Full resolution:	30 fps 30 fps 25 fps	18 fps 11 fps 10 fps
D1 (720 x 480):	30 fps* 30 fps* 25 fps*	30 fps* 30 fps* 25 fps*
	* scaled (Max sensor readout rate = 71 fps)	* via AOI (Max sensor readout rate = 30 fps)
Specification	BIP-1300c / BIP-1300c-dn	BIP-1600c / BIP-1600c-dn
Sensor	1/3" Sony progressive scan color CCD	1/1.8" Sony progressive scan color CCD
Effective Pixels	1280 (H) x 960 (V)	1600 (H) x 1200 (V)
Frame Rate	MJPEG MPEG-4 H.264	MJPEG MPEG-4 H.264
Full resolution:	11 fps 9 fps 7 fps	8 fps 5 fps 4 fps
D1 (720 x 480):	30 fps* 25 fps* 25 fps*	30 fps* 25 fps* 25 fps*
	* via AOI (Max sensor readout rate = 30 fps)	* via AOI (Max sensor readout rate = 12.5 fps)

Table 1: Basic IP Camera Specifications

Note: For full specifications, see the Basler IP Camera user's manual.

2 Hardware Overview

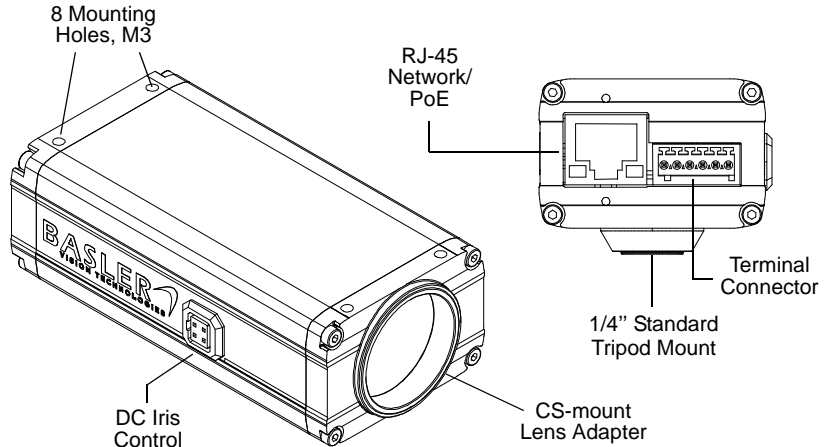


Fig. 1: Camera Connections

- **RJ-45 Network / PoE** - Provides a 10/100 Ethernet connection and can be used to connect Power over Ethernet (IEEE 802.3af) to the camera.
- **Terminal Connector** - Provides connections for a direct power input to the camera, connections for the camera's input and output lines, and connections for a standard RS-232 serial port that can be used to control an external device.
- **DC Iris Control** - Provides a connection for a DC auto iris.
- **CS-mount Lens Adapter** - Provides a point to mount a CS-mount lens or a C-mount lens on the camera (a 5 mm extension tube is required with a C-mount lens).

3 The Terminal Connector

The 6-pin terminal connector on the back of the camera can be used to:

- provide power to the camera (when PoE is not used)
- access the camera's input line
- access the camera's output line
- access the camera's RS-232 connection

The terminal connector on the camera is a Phoenix header (part number 1881480).

The recommended mating connector is a 6-pin Phoenix plug (part number 1881367). A Phoenix plug of this type is included with each camera.

NOTICE

Do not apply AC voltages or voltages out of specification to the camera.

1. Apply only DC voltages. Applying AC voltages can seriously damage the camera.
2. Make sure that the voltages are within the limits specified in Table 2 on page 6. Applying voltages outside of the specifications can seriously damage the camera.

The pin numbering for the terminal connector is as shown below.

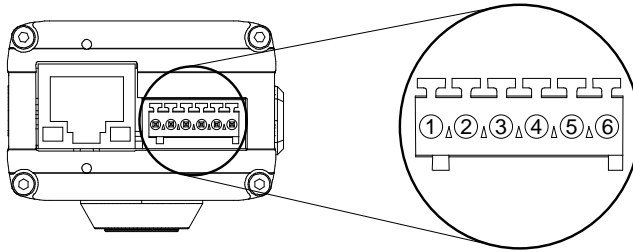


Fig. 2: Terminal Connector Pin Numbering

The pinout for the terminal connector is as described in Table 2.

Pin	Function	Description
1	Ground	Ground (for camera power, for the IO signals, and for the RS-232 serial port)
2	Camera Power	Use this connection to supply power to the camera (if you are not supplying camera power via PoE) Nominal operating voltage: +12 VDC Voltage applied: between +7 and +20 VDC Maximum power consumption: 5 W

Table 2: Camera Pinout

Pin	Function	Description																														
3	Input	<p>Normally, the input is connected to ground via a switch as shown in Figure 3 on page 10. As shown in the table below, the input will be detected by the camera as active or inactive depending on whether the switch is open or closed and whether the input mode is set to normal or inverted.</p> <p>See the camera user's manual for more information about setting the input mode.</p> <table border="1"> <thead> <tr> <th>Switch Condition</th> <th>Input Mode</th> <th>Input Detected As</th> </tr> </thead> <tbody> <tr> <td>Open</td> <td>Normal</td> <td>Inactive</td> </tr> <tr> <td>Closed</td> <td>Normal</td> <td>Active</td> </tr> <tr> <td>Open</td> <td>Inverted</td> <td>Active</td> </tr> <tr> <td>Closed</td> <td>Inverted</td> <td>Inactive</td> </tr> </tbody> </table> <p>As an alternative, voltage from a device can be applied directly to the input. As shown in Figure 4 on page 11, the voltage should be applied directly to the input and not through a switch.</p> <p>As shown in the table below, the input will be detected by the camera as active or inactive depending on the voltage level applied and whether the input mode is set to normal or inverted.</p> <table border="1"> <thead> <tr> <th>Voltage Applied</th> <th>Input Mode</th> <th>Input Detected As</th> </tr> </thead> <tbody> <tr> <td>0 to +2.6 VDC</td> <td>Normal</td> <td>Active</td> </tr> <tr> <td>+5.7 to +24.0 VDC</td> <td>Normal</td> <td>Inactive</td> </tr> <tr> <td>0 to +2.6 VDC</td> <td>Inverted</td> <td>Inactive</td> </tr> <tr> <td>+5.7 to +24.0 VDC</td> <td>Inverted</td> <td>Active</td> </tr> </tbody> </table> <p>The area between +2.6 and +5.7 VDC is a transition zone and should be avoided. The voltage applied to the input must not exceed +24 VDC.</p>	Switch Condition	Input Mode	Input Detected As	Open	Normal	Inactive	Closed	Normal	Active	Open	Inverted	Active	Closed	Inverted	Inactive	Voltage Applied	Input Mode	Input Detected As	0 to +2.6 VDC	Normal	Active	+5.7 to +24.0 VDC	Normal	Inactive	0 to +2.6 VDC	Inverted	Inactive	+5.7 to +24.0 VDC	Inverted	Active
Switch Condition	Input Mode	Input Detected As																														
Open	Normal	Inactive																														
Closed	Normal	Active																														
Open	Inverted	Active																														
Closed	Inverted	Inactive																														
Voltage Applied	Input Mode	Input Detected As																														
0 to +2.6 VDC	Normal	Active																														
+5.7 to +24.0 VDC	Normal	Inactive																														
0 to +2.6 VDC	Inverted	Inactive																														
+5.7 to +24.0 VDC	Inverted	Active																														

Table 2: Camera Pinout

Pin	Function	Description															
4	Output	<p>The output employs an open collector transistor connected to ground as shown in Figure 3 on page 10. As shown in the table below, the output will or will not be connected to ground via the transistor depending on the state of the output and whether the output is set for the normal or the inverted mode.</p> <p>See the camera user's manual for more information about setting the output mode.</p> <p>Note: If the output has been set to the inverted mode and you restart the camera or you power it off and back on, the output will be in the normal mode during the camera bootup process and will return to the inverted mode once the bootup process is complete.</p> <table border="1" data-bbox="332 485 907 666"> <thead> <tr> <th>Output State</th> <th>Output Mode</th> <th>Output Connected to Ground</th> </tr> </thead> <tbody> <tr> <td>Inactive</td> <td>Normal</td> <td>No</td> </tr> <tr> <td>Active</td> <td>Normal</td> <td>Yes</td> </tr> <tr> <td>Inactive</td> <td>Inverted</td> <td>Yes</td> </tr> <tr> <td>Active</td> <td>Inverted</td> <td>No</td> </tr> </tbody> </table> <p>The maximum load is 100 mA and the maximum voltage is +24 VDC.</p> <p>If an inductive load such as a relay is used with the output, a diode must be connected in parallel with the load as shown in Figure 3.</p>	Output State	Output Mode	Output Connected to Ground	Inactive	Normal	No	Active	Normal	Yes	Inactive	Inverted	Yes	Active	Inverted	No
Output State	Output Mode	Output Connected to Ground															
Inactive	Normal	No															
Active	Normal	Yes															
Inactive	Inverted	Yes															
Active	Inverted	No															

Table 2: Camera Pinout

Pin	Function	Description
5	RS-232 Transmit	RS-232 transmit. Note: RS-232 transmit on the camera should be connected to RS-232 receive on your device.
6	RS-232 Receive	RS-232 receive. Note: RS-232 receive on the camera should be connected to RS-232 transmit on your device.

Table 2: Camera Pinout

We recommend that connections to the input and the output be made with shielded cable and that the cable shields be connected to ground. If you are unable to connect the cable shields to ground or if you use unshielded cable, we recommend that you install a ferrite bead on each cable near to the camera to minimize electromagnetic interference.

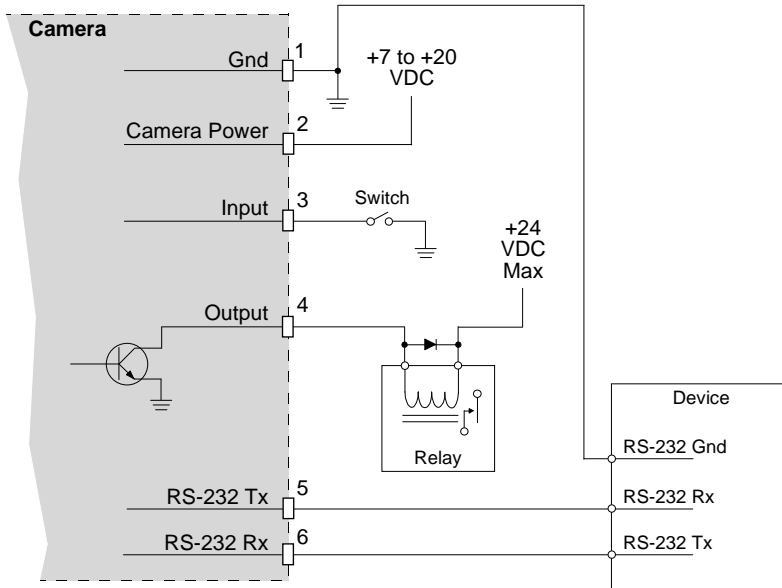


Fig. 3: Switched Ground Input

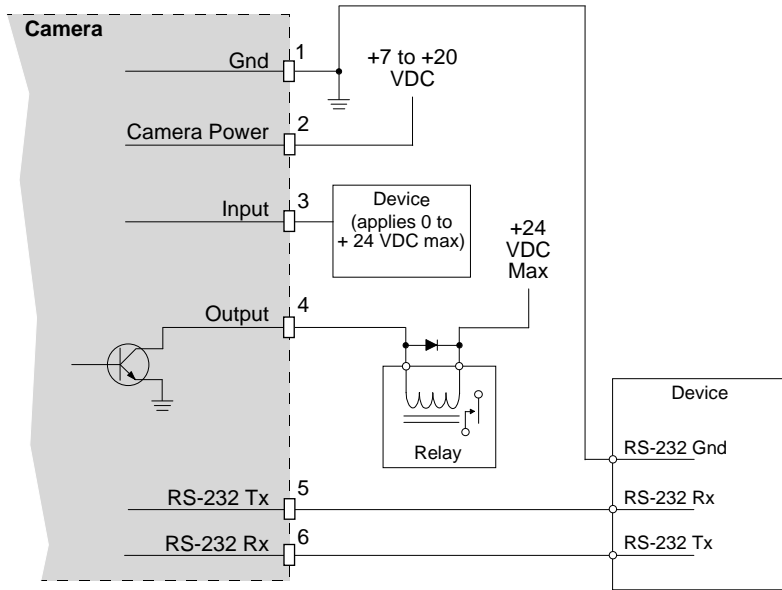


Fig. 4: Direct Device Input

4 Installing the Camera on a Network

Installation Procedure

1. Take the camera and an appropriate lens and move to an environment that is as dust free as possible.
2. Remove the cap from the lens adapter on the camera:
 - If you are using a CS-mount lens, carefully screw your lens into the adapter as far as it will go.
 - If you are using a C-mount lens, carefully screw a 5 mm extension ring into the lens mount on the camera as far as it will go and then carefully screw your lens into the extension ring as far as it will go.
3. Make the Ethernet connection and apply camera power:
 - If camera power will be supplied to the camera via PoE, follow the instructions on page 13.
 - If camera power will be supplied via the camera's terminal connector, follow the instructions on page 14.

If camera power will be supplied via PoE:

1. Connect a straight-through (patch) Ethernet cable from the RJ-45 connector on the camera to a PoE network switch,
or
connect a crossover Ethernet cable from the RJ-45 connector on the camera to a passive PoE injector.
2. When the connections are complete, go on to Section 5 on page 16.

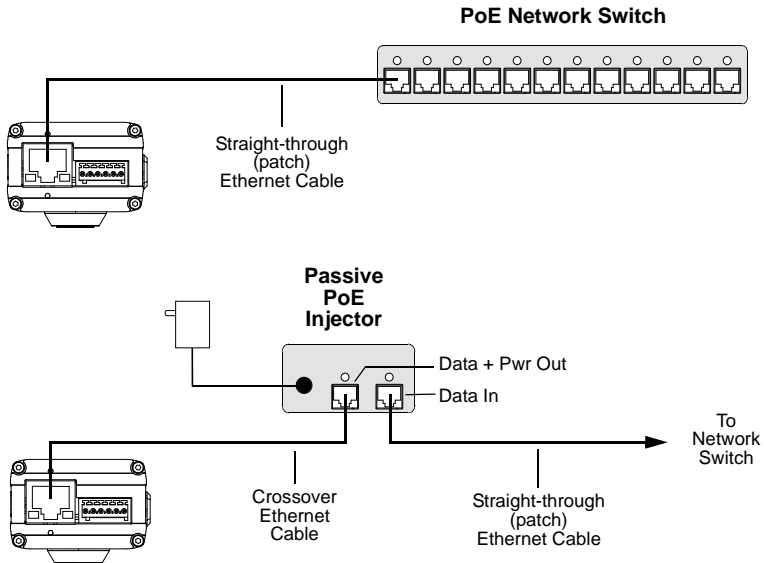


Fig. 5: PoE Cabling

If camera power will be supplied via the terminal connector:

1. Make sure that your power supply meets the requirements stated in Table 2 on page 6.

2. Locate the two output wires on the power supply.

The positive wire will typically be marked with a white stripe, a colored stripe, or some similar type of marking (see Figure 6).

If you are unsure which output wire is positive, check the output from the supply with a voltmeter and mark the positive wire now.

3. Unplug or switch off the power supply.

4. Make sure that the output wires on the power supply have the following characteristics:

- A minimum cross section of 0.14 mm^2 (AWG 25) and a maximum cross section of 0.5 mm^2 (AWG 20).
- 8 mm (5/16") of insulation has been stripped from the end of each output wire.
- If the output wires are stranded rather than solid, they must have an 8 mm (5/16") long ferrule (end terminal) applied to the end of each wire as shown in Figure 6.

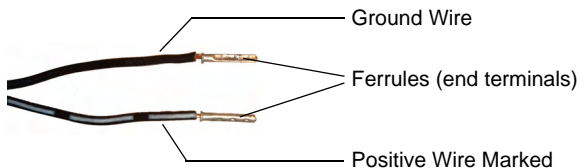


Fig. 6: Ferrules Applied to Stranded Wire

5. Obtain the 6-pin Phoenix plug that is included with the camera.
6. Insert the end of the ground wire into pin 1 (see Figure 7) of the Phoenix plug as far as it will go. The plug has spring-cage connections and will grip the wire.
7. Insert the end of the positive wire into pin 2 of the Phoenix plug as far as it will go.
8. Insert the Phoenix plug into the terminal connector on the back of the camera.
9. Connect a straight-through (patch) Ethernet cable to the RJ-45 connector on the camera and to your network switch as shown in Figure 7.
10. Plug in or switch on the power supply.
11. When the connections are complete, go on to Section 5 on page 16.

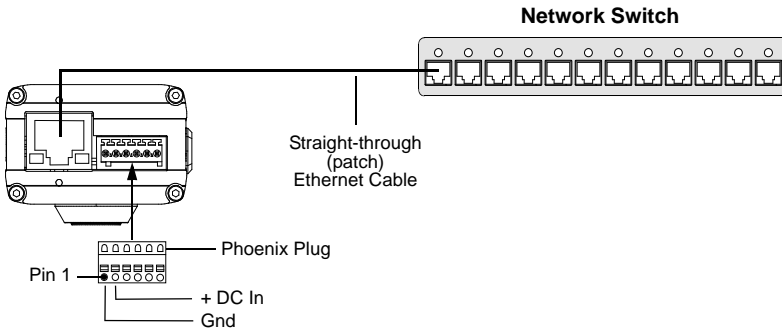


Fig. 7: Camera Power Via a Terminal Connector

5 Locating the Camera on Your Network

- The location procedure assumes that your camera is on the same network subnet as your PC and that you have a Windows® operating system on your PC.
- The procedure uses a web browser to access your Basler IP Camera. The recommended web browser is Microsoft Internet Explorer version 6.0 or higher.
- If your network includes a proxy server and your web browser is set to use the proxy server, the browser will not be able to access the camera. To avoid this problem, change your web browser's connection settings so that the proxy server will not be used with local addresses.
- To avoid possible problems, temporarily disable firewall and antivirus software on your computer.
- Make sure that Javascript is enabled on your browser.
- Close all Windows programs, including web browsers, before starting the location procedure.



The following procedure assumes that you have version 1.4 or higher of the BIP Finder software on the CD included with the camera. If you find that you have an earlier version on the CD, we suggest that you get the newest version from the Downloads section of the Basler website: www.basler-ipcam.com

To locate your Basler IP Camera on your network:

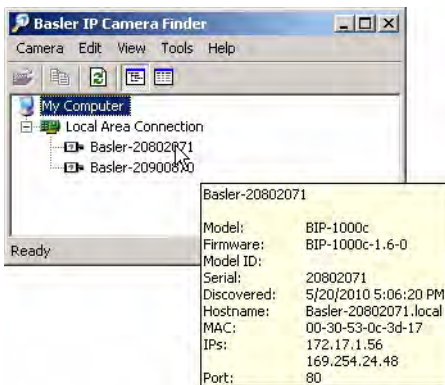
1. Obtain the CD that was delivered with your camera and place it in your computer's CD-ROM drive.
2. Copy the **BIPFinder.exe** program from the CD to a location on your computer's hard drive. (The BIP Finder is a standalone program and does not need to be installed.)
3. Create a shortcut to the program on the desktop and then close Windows Explorer.
4. Double click on the **BIP Finder** shortcut. The BIP Finder software will locate the Basler IP Camera(s) on your network and will display them in a tree format as shown below.



The Basler IP Cameras will be listed in the **Camera Finder** window by their serial number.

If you double click on a Basler IP Camera serial number in the **Camera Finder** window, your web browser will open and the browser will access the Basler Surveillance Web Client in the camera. (See Section 6 for more information about the Basler Surveillance Web Client.)

If you hover the cursor over a Basler IP Camera serial number in the **Camera Finder** window, information about the camera will be displayed in a tip window as shown below. The information will include the camera's model, current firmware version, serial number, host name, IP address(es), port number, and an indication of when the camera was located by the finder. (This "hover" feature will only work correctly if you are using version 1.2 or higher of the BIP Finder software and you have version 1.4 or higher firmware in your camera.)



Note: If a camera is set to use a DHCP assigned IP address or to use a fixed IP address, the tip window will display two IP addresses for the camera. This happens because the camera always acquires an auto IP address in addition to the DHCP assigned address or the fixed address. In this situation, the camera will have two IP addresses and it can be accessed by using either IP address.

6 Accessing the Camera From a Web Browser

Once your camera is installed and connected to a network, it can be accessed from a web browser. The recommended web browser is Microsoft Internet Explorer version 6.0 or higher.

To access the camera:

1. Do one of the following:

- Use the Basler BIP Finder software to find your camera as described in Section 5 and then double click on the camera's serial number in the BIP Finder window. Your browser will open and will access the Basler Surveillance Web Client in the camera.

(If the camera has two IP addresses assigned to it, you can right click on the camera's serial number in the BIP Finder window and use the drop down menu that appears to select which address to use to access the camera.)

- Use the Basler BIP Finder software to find the IP address for your camera as described in Section 5.

Enter the IP address in the **Address** field of your browser. For example, for a camera with an address of 172.17.1.44, you would enter this:
`http://172.17.1.44`

Press the Return key. The browser will access the Basler Surveillance Web Client in the camera.

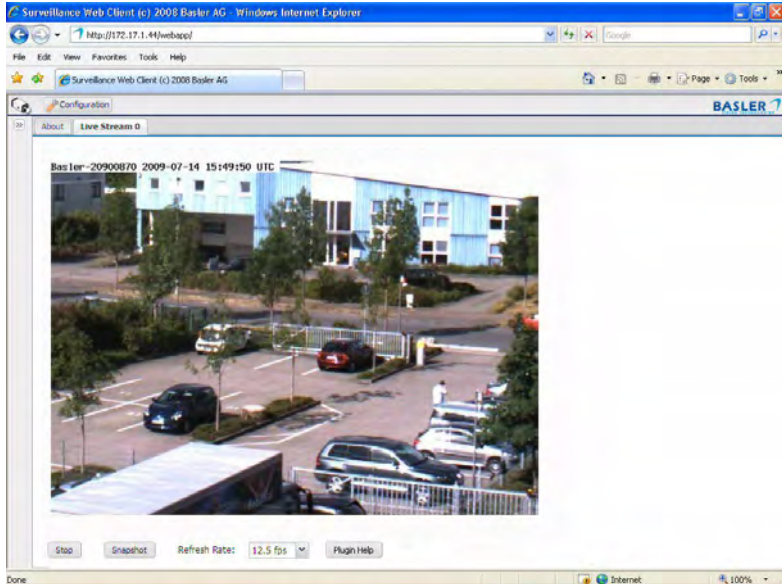
2. The Basler Surveillance Web Client will open in the browser as shown below.



Assuming that this is the first time you are accessing the camera via the web browser, you may see a message asking you to click on the Information Bar to allow installation of an ActiveX control. The ActiveX control that the system wants to install is supplied by Basler and is used to display image streams within the browser. We strongly recommend that you install the control by performing the following steps:

- Click on the yellow Information Bar and select **Install ActiveX Control** from the menu that appears.
- When the **Do you want to install this software?** window opens, click the **Install** button.
- When the installation is finished, click the browser's refresh button.

The Basler Surveillance Web Client will display a live MJPEG stream from the camera as shown below.



For complete information about using the Basler Surveillance Web Client to change the camera's settings and view images from the camera, see the camera user's manual. You can find the camera user's manual on the CD delivered with your camera, or you can find the latest version of the manual in the Downloads section of our website: www.basler-ipcam.com

7 Day/Night Cameras

Basler IP Cameras with the letters "dn" at the end of the model name (e.g., BIP-640c-dn) are equipped with day/night functionality. Cameras with day/night functionality are well-suited for use in areas with natural lighting during the day and artificial lighting at night. And when used with a supplemental IR illuminator, these cameras can produce high-quality images in areas with little visible light, which makes them very useful in applications with poor lighting.

If you have a day/night camera, refer to the camera User's Manual for complete details regarding day/night functionality.

8 Firmware Updates

To ensure that your camera's functionality is up to date, you should periodically check the Downloads section of the Basler website to see if a firmware update file is available. The website address is: www.basler-ipcam.com

You can use the Basler Surveillance Web Client to view the current firmware version on a camera and to perform a firmware update. For more information about using the client to view the current firmware version or to update firmware, see the *Basler IP Fixed Dome Camera User's Manual*. The user's manual can be found on the CD delivered with your camera or you can download the latest version of the manual from the Basler website.

You can also use the Basler IP Camera Finder software (version 1.4 or higher) to view the current firmware version in your camera and to apply firmware update files to the camera (see Section 5). An advantage of the BIP Finder software is that it can be used to view the firmware versions on multiple cameras at once, and it can be used to update the firmware version on several cameras simultaneously. For more information about using the BIP Finder to check firmware versions and update firmware, see the BIP Finder help file (the help file is a separate file that is included along with the BIP Finder software).

Basler IP-Kamera-Installationsanleitung

Über dieses Dokument

Dieses Dokument soll bei der Installation einer Basler IP-Kamera in einem Netzwerk helfen. Nach abgeschlossener Installation finden Sie detailliertere Informationen über Betrieb und Funktionen im Benutzerhandbuch der Kamera. Das Benutzerhandbuch befindet sich auf der mit der Kamera gelieferten CD, die aktuellste Version kann im Downloadbereich unserer Website www.basler-ipcam.com heruntergeladen werden.

Sicherheitshinweise



WARNUNG

Diese Kamera ist nicht für die Verwendung in explosionsgefährdeten Bereichen ausgelegt.

1. Wenn die Kamera in explosionsgefährdeten Bereichen zum Einsatz kommen soll, ist sie in einem entsprechenden Schutzgehäuse unterzubringen.



⚠ VORSICHT

Gefährliche elektrische Spannung

Das Berühren von Bauteilen im Inneren der Kamera kann zu elektrischem Schlag führen.

1. Niemals das Gehäuse der Kamera öffnen. Das Gehäuse enthält keine vom Benutzer zu wartenden Bauteile.

HINWEIS

Die Kamera ist nicht für den ungeschützten Gebrauch im Freien ausgelegt und kann durch übermäßige Feuchtigkeit oder Nässe beschädigt werden.

1. Wenn die Kamera im Außenbereich zum Einsatz kommen soll, ist sie in einem wetterfesten Gehäuse unterzubringen.

WEEE-Richtlinie

Die Richtlinie 2002/96/EG (WEEE-Richtlinie) der Europäischen Union regelt die Entsorgung von Elektro- und Elektronik-Altgeräten. Diese Richtlinie ist nur in den Mitgliedsstaaten der Europäischen Union gültig.

Alle Basler IP-Kameras wurden nach dem 31. August 2005 hergestellt.

1 Technische Spezifikationen

Spezifikation	BIP-640c / BIP-640c-dn	BIP-1000c / BIP-1000c-dn
Sensor	1/3" Sony Progressive Scan Color CCD	1/3" Sony Progressive Scan Color CCD
Effektive Pixel	640 (H) x 480 (V)	1024 (H) x 768 (V)
Bildrate volle Auflösung: D1 (720 x 480):	MJPEG MPEG-4 H.264 30 fps 30 fps 25 fps 30 fps* 30 fps* 25 fps* * skaliert (Max. Sensor-Ausleserate = 71 fps)	MJPEG MPEG-4 H.264 18 fps 11 fps 10 fps 30 fps* 30 fps* 25 fps* * über AOI (Max. Sensor-Ausleserate = 30 fps)
Spezifikation	BIP-1300c / BIP-1300c-dn	BIP-1600c / BIP-1600c-dn
Sensor	1/3" Sony Progressive Scan Color CCD	1/1.8" Sony Progressive Scan Color CCD
Effektive Pixel	1280 (H) x 960 (V)	1600 (H) x 1200 (V)
Bildrate volle Auflösung: D1 (720 x 480):	MJPEG MPEG-4 H.264 11 fps 9 fps 7 fps 30 fps* 25 fps* 25 fps* * über AOI (Max. Sensor-Ausleserate = 30 fps)	MJPEG MPEG-4 H.264 8 fps 5 fps 4 fps 30 fps* 25 fps* 25 fps* * über AOI (Max. Sensor-Ausleserate = 12,5 fps)

Tabelle 1: Technische Spezifikationen der Basler IP-Kamera

Hinweis: Vollständige Spezifikationen, siehe Benutzerhandbuch der Basler IP-Kamera.

2 Hardware

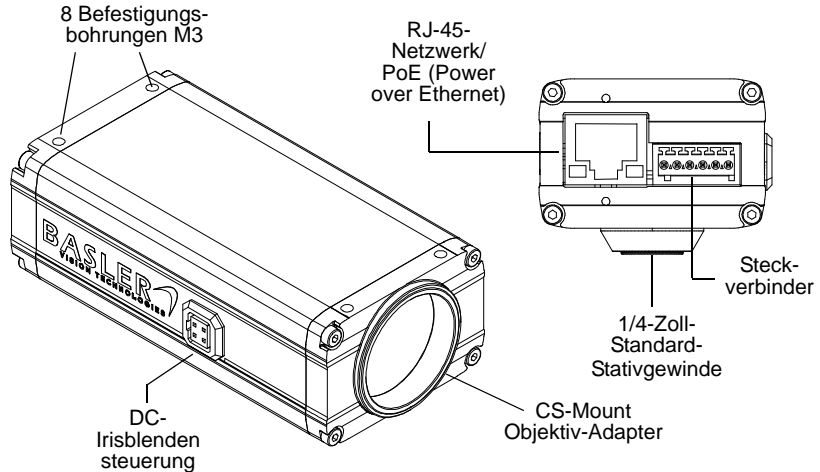


Abb. 1: Kameraanschlüsse

- **RJ-45-Netzwerk / PoE** - 10/100 Ethernet-Anschluss, auch für Stromversorgung der Kamera über Power over Ethernet (IEEE 802.3af).
- **Steckverbinder** - Anschlüsse für die Gleichstromversorgung der Kamera, Ein- und Ausgänge und ein serieller RS-232-Standard-Anschluss zur Steuerung eines externen Gerätes.
- **DC-Irisblendensteuerung** - Anschluss für DC-Auto-Iris.
- **CS-Mount Objektivadapter** - Anschluss für Objektiv mit CS-Mount oder C-Mount (für Objektiv mit C-Mount ist ein 5-mm-Adapterring erforderlich).

3 Steckverbinder

Funktionen des 6-poligen Steckverbinders an der Kamerarückseite:

- Stromversorgung der Kamera (wenn PoE nicht genutzt wird)
- Zugriff auf Kamera-Eingang
- Zugriff auf Kamera-Ausgang
- Zugriff auf RS-232-Anschluss

Der Steckverbinder ist als Phoenix-Steckverbinder (Teilenummer 1881480) ausgeführt.

Der empfohlene Gegenstecker ist eine 6-polige Phoenix-Anschlussklemme (Teilenummer 1881367). Eine solche Anschlussklemme ist im Lieferumfang jeder Kamera enthalten.

HINWEIS

Keine Wechsellspannung oder von der Spezifikation abweichende Spannung an die Kamera anlegen.

1. Nur Gleichspannung anlegen. Das Anlegen von Wechsellspannung kann zu schwerwiegenden Schäden an der Kamera führen.
2. Sicherstellen, dass die Spannungswerte innerhalb der in Tabelle 2 auf Seite 28 festgelegten Grenzwerte liegen. Das Anlegen von Spannungen, die außerhalb der festgelegten Grenzen liegen, kann zu schwerwiegenden Schäden an der Kamera führen.

Die Pinbelegung des Steckverbinders ist unten angegeben.

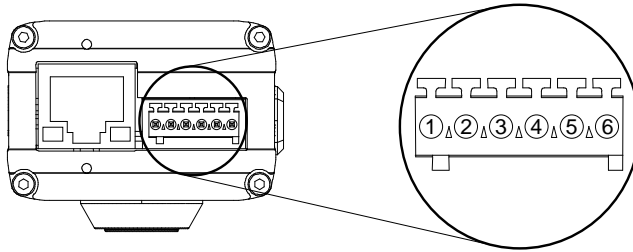


Abb. 2: Pinbelegung Steckverbinder

Die Pinbelegung des Steckverbinders ist in Tabelle 2 dargestellt.

Pin	Funktion	Beschreibung
1	Masse	Masse (für Stromversorgung der Kamera, IO-Signale und seriellen Anschluss RS-232)
2	Stromversorgung	Diesen Anschluss zur Stromversorgung der Kamera nutzen (falls Stromversorgung der Kamera nicht über PoE realisiert wird). Nennbetriebsspannung: +12 V Gleichspannung angelegte Spannung: zwischen +7 und +20 V Gleichspannung Maximale Leistungsaufnahme: 5 W

Tabelle 2: Pinbelegung der Kamera

Pin	Funktion	Beschreibung															
3	Eingang	<p>Der Eingang ist für gewöhnlich über einen Schalter mit Masse verbunden, siehe Abbildung 3 auf Seite 33. Wie in der unten abgebildeten Tabelle aufgeführt, wird der Eingang abhängig von der Schalterstellung (offen oder geschlossen) und abhängig von der Einstellung des Eingangsmodus (normal oder invertiert) von der Kamera als aktiv oder inaktiv erkannt.</p> <p>Weitere Informationen zur Einstellung des Eingangsmodus, siehe Benutzerhandbuch der Kamera.</p> <table border="1"> <thead> <tr> <th>Schalterstellung</th> <th>Eingangsmodus</th> <th>Eingang erkannt als</th> </tr> </thead> <tbody> <tr> <td>Offen</td> <td>Normal</td> <td>Inaktiv</td> </tr> <tr> <td>Geschlossen</td> <td>Normal</td> <td>Aktiv</td> </tr> <tr> <td>Offen</td> <td>Invertiert</td> <td>Aktiv</td> </tr> <tr> <td>Geschlossen</td> <td>Invertiert</td> <td>Inaktiv</td> </tr> </tbody> </table>	Schalterstellung	Eingangsmodus	Eingang erkannt als	Offen	Normal	Inaktiv	Geschlossen	Normal	Aktiv	Offen	Invertiert	Aktiv	Geschlossen	Invertiert	Inaktiv
Schalterstellung	Eingangsmodus	Eingang erkannt als															
Offen	Normal	Inaktiv															
Geschlossen	Normal	Aktiv															
Offen	Invertiert	Aktiv															
Geschlossen	Invertiert	Inaktiv															

Tabelle 2: Pinbelegung der Kamera

Pin	Funktion	Beschreibung															
3	Eingang	<p>Alternativ kann die Spannung über ein Gerät direkt an den Eingang angelegt werden. Wie in Abbildung 4 auf Seite 34 gezeigt, sollte die Spannung direkt am Eingang und nicht über einen Schalter angelegt werden.</p> <p>Wie in der unten abgebildeten Tabelle aufgeführt, wird der Eingang abhängig vom angelegten Spannungspegel und abhängig von der Einstellung des Eingangsmodus (normal oder invertiert) von der Kamera als aktiv oder inaktiv erkannt.</p> <table border="1"> <thead> <tr> <th>angelegte Spannung</th> <th>Eingangsmodus</th> <th>Eingang erkannt als</th> </tr> </thead> <tbody> <tr> <td>0 bis +2,6 VDC</td> <td>Normal</td> <td>Aktiv</td> </tr> <tr> <td>+5,7 bis +24,0 VDC</td> <td>Normal</td> <td>Inaktiv</td> </tr> <tr> <td>0 bis +2,6 VDC</td> <td>Invertiert</td> <td>Inaktiv</td> </tr> <tr> <td>+5,7 bis +24,0 VDC</td> <td>Invertiert</td> <td>Aktiv</td> </tr> </tbody> </table> <p>Der Bereich zwischen +2,6 VDC und +5,7 VDC ist eine Übergangszone und sollte vermieden werden. Die Eingangsspannung darf +24 VDC nicht überschreiten.</p>	angelegte Spannung	Eingangsmodus	Eingang erkannt als	0 bis +2,6 VDC	Normal	Aktiv	+5,7 bis +24,0 VDC	Normal	Inaktiv	0 bis +2,6 VDC	Invertiert	Inaktiv	+5,7 bis +24,0 VDC	Invertiert	Aktiv
angelegte Spannung	Eingangsmodus	Eingang erkannt als															
0 bis +2,6 VDC	Normal	Aktiv															
+5,7 bis +24,0 VDC	Normal	Inaktiv															
0 bis +2,6 VDC	Invertiert	Inaktiv															
+5,7 bis +24,0 VDC	Invertiert	Aktiv															

Tabelle 2: Pinbelegung der Kamera

Pin	Funktion	Beschreibung															
4	Ausgang	<p>Der Ausgang verfügt über einen Transistor mit offenem Kollektor, der wie in Abbildung 3 auf Seite 33 gezeigt mit Masse verbunden ist. In Abhängigkeit vom Zustand und vom Modus des Ausgangs (normal oder invertiert), wird dieser über den Transistor mit Masse verbunden oder nicht verbunden, siehe Tabelle unten.</p> <p>Weitere Informationen zur Einstellung des Ausgangsmodus, siehe Benutzerhandbuch der Kamera.</p> <p>Hinweis: Wenn der Ausgang auf den invertierten Modus eingestellt ist und ein Neustart der Kamera erfolgt, ist der Ausgang währenddessen im Normalmodus und kehrt nach Abschluss des Startvorganges in den invertierten Modus zurück.</p> <table border="1" data-bbox="304 486 876 666"> <thead> <tr> <th>Zustand des Ausgangs</th> <th>Ausgangsmodus</th> <th>Ausgang mit Masse verbunden</th> </tr> </thead> <tbody> <tr> <td>Inaktiv</td> <td>Normal</td> <td>Nein</td> </tr> <tr> <td>Aktiv</td> <td>Normal</td> <td>Ja</td> </tr> <tr> <td>Inaktiv</td> <td>Invertiert</td> <td>Ja</td> </tr> <tr> <td>Aktiv</td> <td>Invertiert</td> <td>Nein</td> </tr> </tbody> </table> <p>Der Ausgang darf mit einer maximalen Stromstärke von 100 mA belastet werden. Außerdem darf eine maximale Gleichspannung von +24 V angelegt werden.</p> <p>Wenn eine induktive Last, z. B. ein Relais, an den Ausgang angeschlossen ist, muss eine Diode parallel zur Last geschaltet werden, siehe Abbildung 3.</p>	Zustand des Ausgangs	Ausgangsmodus	Ausgang mit Masse verbunden	Inaktiv	Normal	Nein	Aktiv	Normal	Ja	Inaktiv	Invertiert	Ja	Aktiv	Invertiert	Nein
Zustand des Ausgangs	Ausgangsmodus	Ausgang mit Masse verbunden															
Inaktiv	Normal	Nein															
Aktiv	Normal	Ja															
Inaktiv	Invertiert	Ja															
Aktiv	Invertiert	Nein															

Tabelle 2: Pinbelegung der Kamera

Pin	Funktion	Beschreibung
5	RS-232 Transmit	RS-232 Transmit. Hinweis: RS-232 Transmit an der Kamera sollte mit RS-232 Receive am Gerät verbunden sein.
6	RS-232 Receive	RS-232 Receive. Hinweis: RS-232 Receive an der Kamera sollte mit RS-232 Transmit am Gerät verbunden sein.

Tabelle 2: Pinbelegung der Kamera

Wir empfehlen, die Verbindungen zu Ein- und Ausgang mit geschirmten Leitungen auszuführen und die Leitungsschirme mit Masse zu verbinden. Wenn es nicht möglich ist, die Leitungsschirme mit Masse zu verbinden, oder wenn ungeschirmte Leitungen verwendet werden, empfehlen wir Ferritperlen in Kameranähe an den Leitungen anzubringen, um die elektromagnetische Interferenz zu verringern.

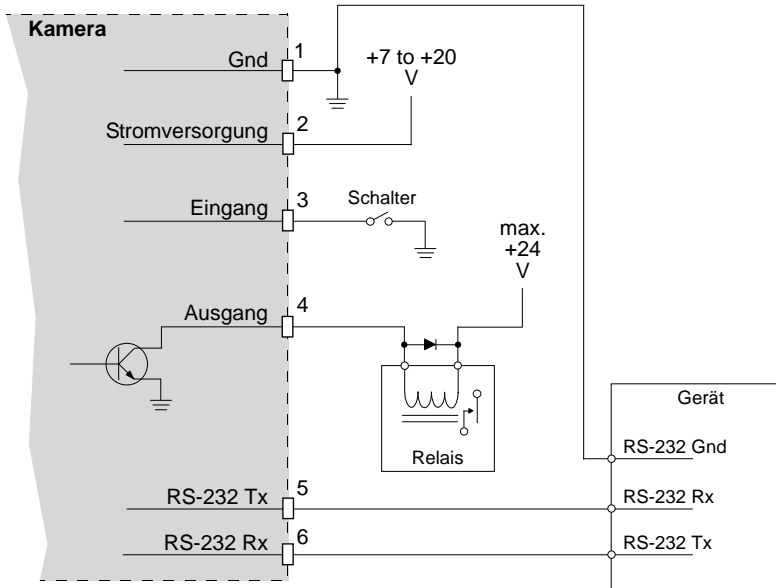


Abb. 3: Eingang mit geschalteter Masse

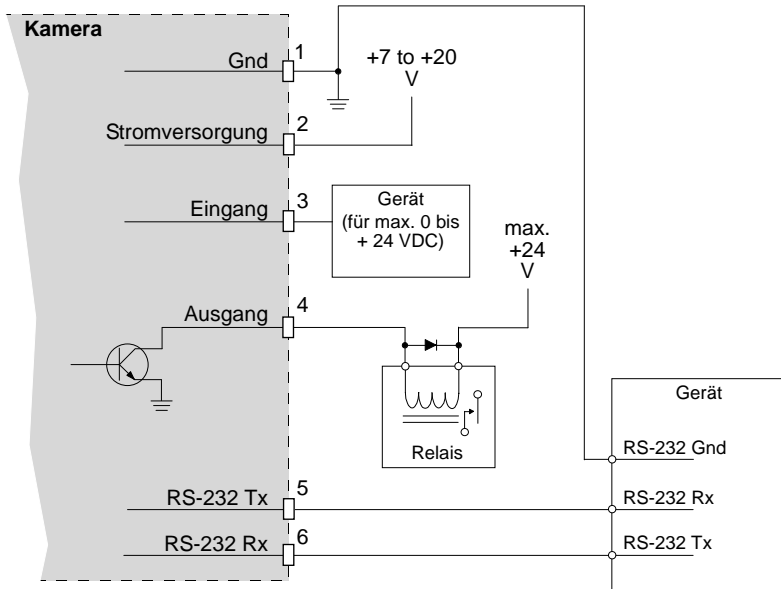


Abb. 4: Eingang direkt am Gerät

4 Kamera im Netzwerk installieren

Installationsablauf

1. Kamera und passendes Objektiv in einen möglichst staubfreien Raum bringen.
2. Deckel vom Objektivadapter der Kamera abnehmen:
 - Wenn ein Objektiv mit CS-Mount genutzt wird, das Objektiv vorsichtig so weit wie möglich in den Adapter einschrauben.
 - Wenn ein Objektiv mit C-Mount genutzt wird, den 5 mm-Adapterring vorsichtig so weit wie möglich in die Objektivaufnahme der Kamera und das Objektiv vorsichtig so weit wie möglich in den Adapterring einschrauben.
3. Verbindung zum Ethernet herstellen und Stromversorgung der Kamera einschalten:
 - Wenn die Stromversorgung der Kamera über PoE erfolgt, Anweisungen auf Seite 36 beachten.
 - Wenn die Stromversorgung der Kamera über den Steckverbinder erfolgt, Anweisungen auf Seite 37 beachten.

Stromversorgung über PoE:

1. Mit einem Standard-Ethernet-Patchkabel die RJ-45-Buchse an der Kamera mit dem PoE-Netzwerk-Switch
oder
mit einem Ethernet-Crosskabel die RJ-45-Buchse an der Kamera zum passiven PoE-Injektor verbinden.
2. Sind die Verbindungen hergestellt, mit Abschnitt 5 auf Seite 39 fortfahren.

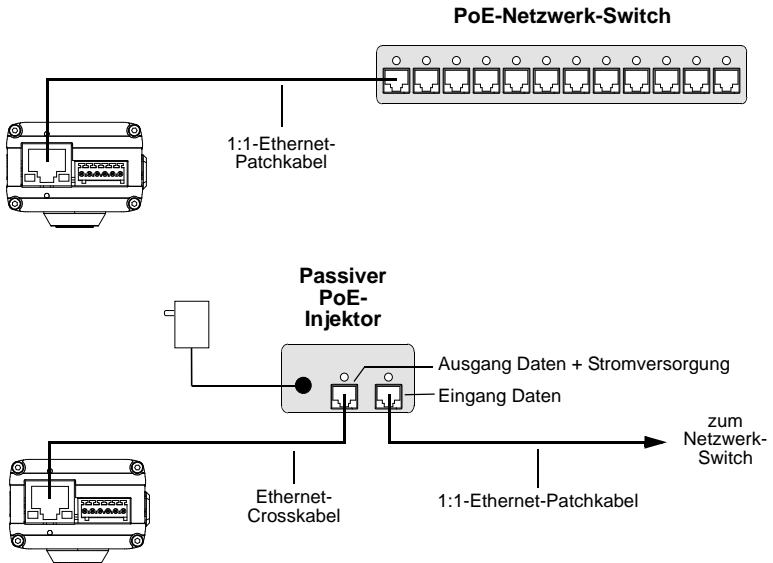


Abb. 5: PoE-Verkabelung

Stromversorgung über Steckverbinder:

1. Sicherstellen, dass die Stromversorgung den in Tabelle 2 auf Seite 28 genannten Anforderungen entspricht.

2. Die zwei Ausgangsadern an der Stromversorgung ermitteln.

Die positive Ader ist üblicherweise mit einem weißen oder farbigen Streifen o.ä. markiert (siehe Abbildung 6).

Wenn Sie nicht sicher sind, welche Ausgangsader positiv ist, Ausgang der Stromversorgung mit einem Spannungsmessgerät prüfen und die positive Ader markieren.

3. Stromversorgung herausziehen oder ausschalten.

4. Sicherstellen, dass die Ausgangsadern der Stromversorgung folgende Merkmale aufweisen:

- Minimaler Querschnitt von $0,14 \text{ mm}^2$, maximaler Querschnitt von $0,5 \text{ mm}^2$.
- Von jedem Ende der Ausgangsadern müssen 8 mm abisoliert werden.
- Wenn die Ausgangsadern aus Litzenleitungen und nicht aus einer Massivdrahtleitung bestehen, müssen diese mit einer 8 mm langen Aderendhülse versehen werden, siehe Abbildung 6.

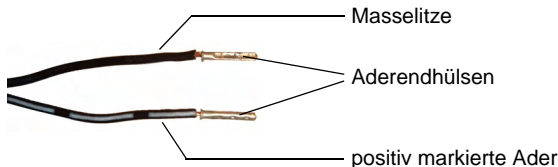


Abb. 6: Mit Aderendhülse versehene Litzenleitungen

5. Mitgelieferte 6-polige Anschlussklemme zur Hand nehmen.
6. Ende der Masselitze so weit wie möglich in Pin 1 der Anschlussklemme einstecken (siehe Abbildung 7). Durch die Federhülse der Anschlussklemme wird die Ader festgehalten.
7. Ende der positiven Ader so weit wie möglich in Pin 2 der Anschlussklemme einstecken.
8. Die Anschlussklemme in den Steckverbinder an der Kamerarückseite einstecken.
9. 1:1-Ethernet-Patchkabel von der RJ-45-Buchse an der Kamera wie in Abbildung 7 dargestellt mit dem Netzwerk-Switch verbinden.
10. Stromversorgung einstecken oder einschalten.
11. Sind die Verbindungen hergestellt, mit Abschnitt 5 auf Seite 39 fortfahren.

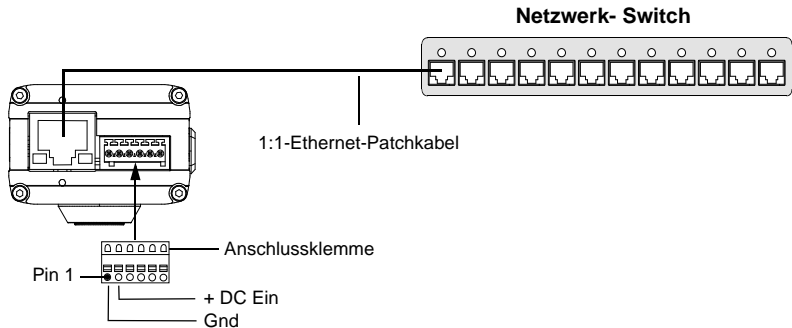


Abb. 7: Stromversorgung der Kamera über Steckverbinder

5 Lokalisieren der Kamera im Netzwerk

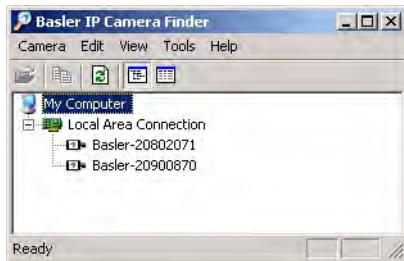
- Bei der Suche der Kamera im Netzwerk wird vorausgesetzt, dass sich die Kamera im selben Subnetz wie der Rechner befindet und dass Windows® als Betriebssystem des Rechners verwendet wird.
- Es wird ein Webbrowser verwendet, um auf die Basler IP-Kamera zuzugreifen. Der empfohlene Webbrowser ist Microsoft Internet Explorer Version 6.0 oder höher.
- Wenn das Netzwerk einen Proxyserver verwendet und der Webbrowser darauf eingestellt ist, diesen zu nutzen, wird der Webbrowser nicht auf die Kamera zugreifen können. Um dieses Problem zu vermeiden, müssen die Verbindungseinstellungen des Webbrowsers so geändert werden, dass der Proxyserver nicht für lokale Adressen genutzt wird.
- Um mögliche Probleme zu umgehen, vorübergehend Firewall und Antivirus-Software auf dem Rechner deaktivieren.
- Sicherstellen, dass Javascript in Ihrem Browser aktiviert ist.
- Alle Windowsanwendungen einschließlich des Webbrowsers schließen, bevor mit dem Suchablauf begonnen wird.



Bei der folgenden Prozedur wird vorausgesetzt, dass sich die BIP Finder-Softwareversion 1.4 oder höher auf der mit der Kamera gelieferten CD befindet. Wenn auf Ihrer CD eine ältere Version enthalten ist, sollten Sie sich die neueste Version aus dem Download-Bereich unserer Website www.basler-ipcam.com herunterladen.

Basler IP-Kamera im Netzwerk lokalisieren:

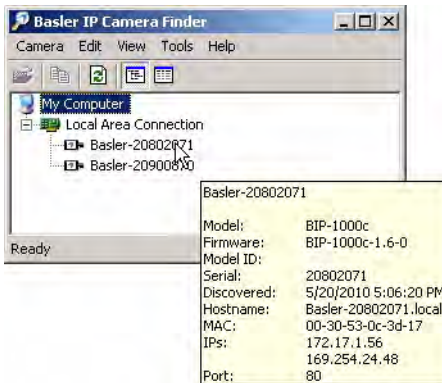
1. Die mit der Kamera gelieferte CD in das CD-ROM-Laufwerk des Rechners einlegen.
2. Das Programm **BIPFinder.exe** von der CD auf die Festplatte des Rechners kopieren. (Der BIP Finder ist ein eigenständiges Programm und muss nicht installiert werden.)
3. Auf dem Desktop eine Verknüpfung zum Programm erstellen und den Windows Explorer schließen.
4. Auf die Verknüpfung **BIP Finder** doppelklicken. Die BIP Finder-Software findet die Basler IP-Kamera(s) im Netzwerk und zeigt diese in der unten abgebildeten Struktur an.



Die Basler IP-Kameras werden im Fenster **Camera Finder** mit ihrer Seriennummer aufgelistet.

Wenn Sie im Fenster **Camera Finder** auf eine Seriennummer einer Basler IP-Kamera doppelklicken, öffnet sich der Webbrowser und greift auf den Basler Surveillance Web Client in der Kamera zu. (Weitere Informationen zum Basler Surveillance Web Client, siehe Abschnitt 6.)

Wenn der Cursor im Fenster **Camera Finder** auf die Seriennummer einer Basler IP-Kamera bewegt wird, erscheinen im Quicktipp-Fenster Information über diese Kamera, siehe unten. Es werden Kameramodell, aktuelle Firmware-Version, Seriennummer, Hostname, IP-Adresse(n), Portnummer und Angaben dazu angezeigt, wann die Kamera vom **Camera Finder** lokalisiert wurde. (Dieses Feature funktioniert nur, wenn die BIP Finder-Software Version 1.2 oder höher und die Firmware-Version 1.4 oder höher auf der Kamera installiert sind.)



Hinweis: Wenn eine Kamera darauf eingestellt ist, DHCP-IP-Adressen oder feste IP-Adressen zu verwenden, werden im Quicktipp-Fenster zwei IP-Adressen für die Kamera angezeigt. Dies geschieht, weil die Kamera immer eine Auto-IP-Adresse zusätzlich zur DHCP-Adresse oder festen Adresse erhält. Somit hat die Kamera zwei IP-Adressen und es kann von beiden IP-Adressen auf die Kamera zugegriffen werden.

6 Zugriff auf die Kamera über einen Webbrowser

Wenn die Kamera installiert und mit einem Netzwerk verbunden ist, kann von einem Webbrowser auf sie zugegriffen werden. Der empfohlene Webbrowser ist Microsoft Internet Explorer Version 6.0 oder höher.

Auf die Kamera zugreifen:

1. Es bestehen folgende Möglichkeiten:

- Basler BIP Finder-Software wie in Abschnitt 5 beschrieben nutzen, um die Kamera zu finden, und auf die Seriennummer der Kamera im Fenster des BIP Finders doppelklicken. Der Browser öffnet sich und greift auf den Basler Surveillance Web Client in der Kamera zu. (Wenn der Kamera zwei IP-Adressen zugewiesen sind, im Fenster BIP Finder auf die Seriennummer der Kamera rechtsklicken und im Dropdownmenü die Adresse wählen, über die auf die Kamera zugegriffen werden soll.)
- Basler BIP Finder-Software wie in Abschnitt 5 beschrieben nutzen, um die IP-Adresse der Kamera zu ermitteln.

Im Feld **Address** des Browsers IP-Adresse eingeben. Für eine Kamera mit der Adresse 172.17.1.44 muss folgende Eingabe gemacht werden: `http://172.17.1.44`

Eingabetaste betätigen. Der Browser greift auf den Basler Surveillance Web Client in der Kamera zu.

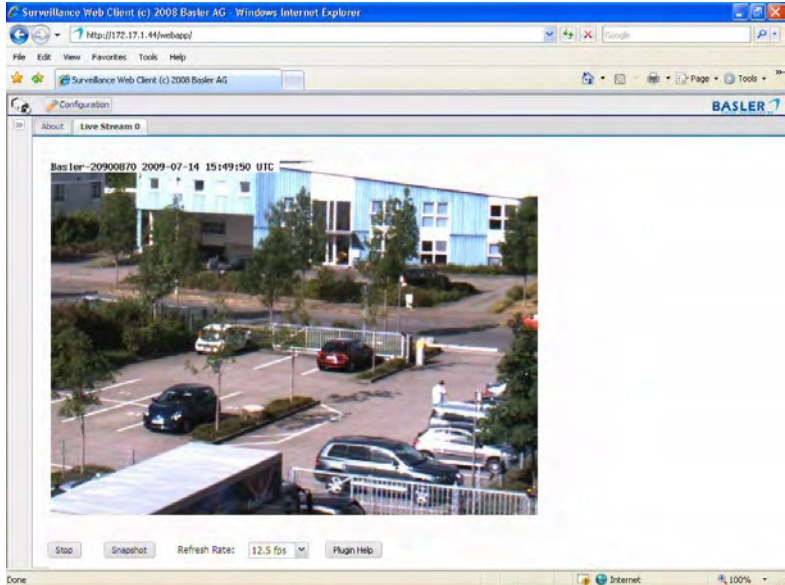
2. Der Basler Surveillance Web Client wird, wie unten dargestellt, im Browser geöffnet.



Beim ersten Zugriff auf die Kamera über den Webbrowser könnte eine Meldung erscheinen, die die Installation eines ActiveX-Steuerelementes durch Klicken auf die Informationsleiste empfiehlt. Das ActiveX-Steuerelement wird von Basler geliefert und wird genutzt, um Bilddatenströme im Browser anzuzeigen. Die Installation dieses Steuerelements wird empfohlen. Dazu folgende Schritte ausführen:

- a. Auf gelbe Informationsleiste klicken und **Install ActiveX Control** aus dem Menü wählen.
- b. Wenn sich das Fenster **Do you want to install this software?** öffnet, Schaltfläche **Install** klicken.
- c. Wenn die Installation abgeschlossen ist, im Browser Schaltfläche **Aktualisieren** klicken.

Der Basler Surveillance Web Client zeigt nun den Live-MJPEG-Bilddatenstrom der Kamera, siehe unten.



Umfassende Informationen zur Nutzung des Basler Surveillance Web Client, zur Änderung von Kameraeinstellungen und Bildansichten der Kamera, siehe Benutzerhandbuch. Das Benutzerhandbuch befindet sich auf der mit der Kamera gelieferten CD, die aktuellste Version kann im Downloadbereich unserer Website www.basler-ipcam.com heruntergeladen werden.

7 Kameras mit Tag-/Nacht-Funktionalität

Basler IP-Kameras, deren Modellname mit den Buchstaben "dn" (z.B. BIP-640c-dn) endet, sind mit Tag-/Nacht-Funktionalität ausgestattet. Diese Kameras sind sehr gut geeignet für Bereiche mit natürlichem Tageslicht und künstlicher Beleuchtung während der Nacht. Bei Nutzung mit zusätzlicher Infrarotbeleuchtung erzielen diese Kameras qualitativ hochwertige Bilder in Bereichen mit wenig sichtbarem Licht. Diese Eigenschaft ist sehr nützlich für die Anwendung bei schlechten Lichtverhältnissen.

Weitere Informationen zur Kamera mit Tag-/Nacht-Funktionalität finden Sie im Benutzerhandbuch.

8 Firmware-Updates

Um sicherzustellen, dass die Funktionalität der Kamera auf dem neuesten Stand ist, sollten Sie sich regelmäßig im Downloadbereich der Basler-Website informieren, ob es neue Dateien zum Update der Firmware gibt. Die Internetadresse lautet: www.basler-ipcam.com

Mit Hilfe des Basler Surveillance Web Clients können Sie sich die aktuell installierte Firmware-Version auf der Kamera anzeigen lassen und ein Firmware-Update durchführen. Weitere Informationen zur Anzeige der aktuellen Firmware-Version und zum Firmware-Update über den Web Client finden Sie im *Benutzerhandbuch der Basler IP-Kamera*. Das Benutzerhandbuch befindet sich auf der mit der Kamera gelieferten CD oder als aktuellste Version im Downloadbereich der Basler-Website.

Mit Hilfe der Basler IP Camera Finder-Software (Version 1.4 oder höher) können Sie sich auch die aktuelle Firmware-Version anzeigen lassen und Firmware-Update-Dateien auf die Kamera laden (siehe Abschnitt 5). Die BIP Finder-Software ermöglicht es Ihnen sogar, sich gleichzeitig die aktuellen Firmware-Versionen verschiedener Kameras anzeigen zu lassen sowie

Firmware-Updates parallel auf mehreren Kameras durchzuführen. Weitere Informationen zur Anzeige der Firmware-Version und zu Firmware-Updates mit dem BIP Finder, siehe BIP Finder-Hilfedatei (die Hilfedatei ist als separate Datei im BIP Finder-Softwarepaket enthalten).